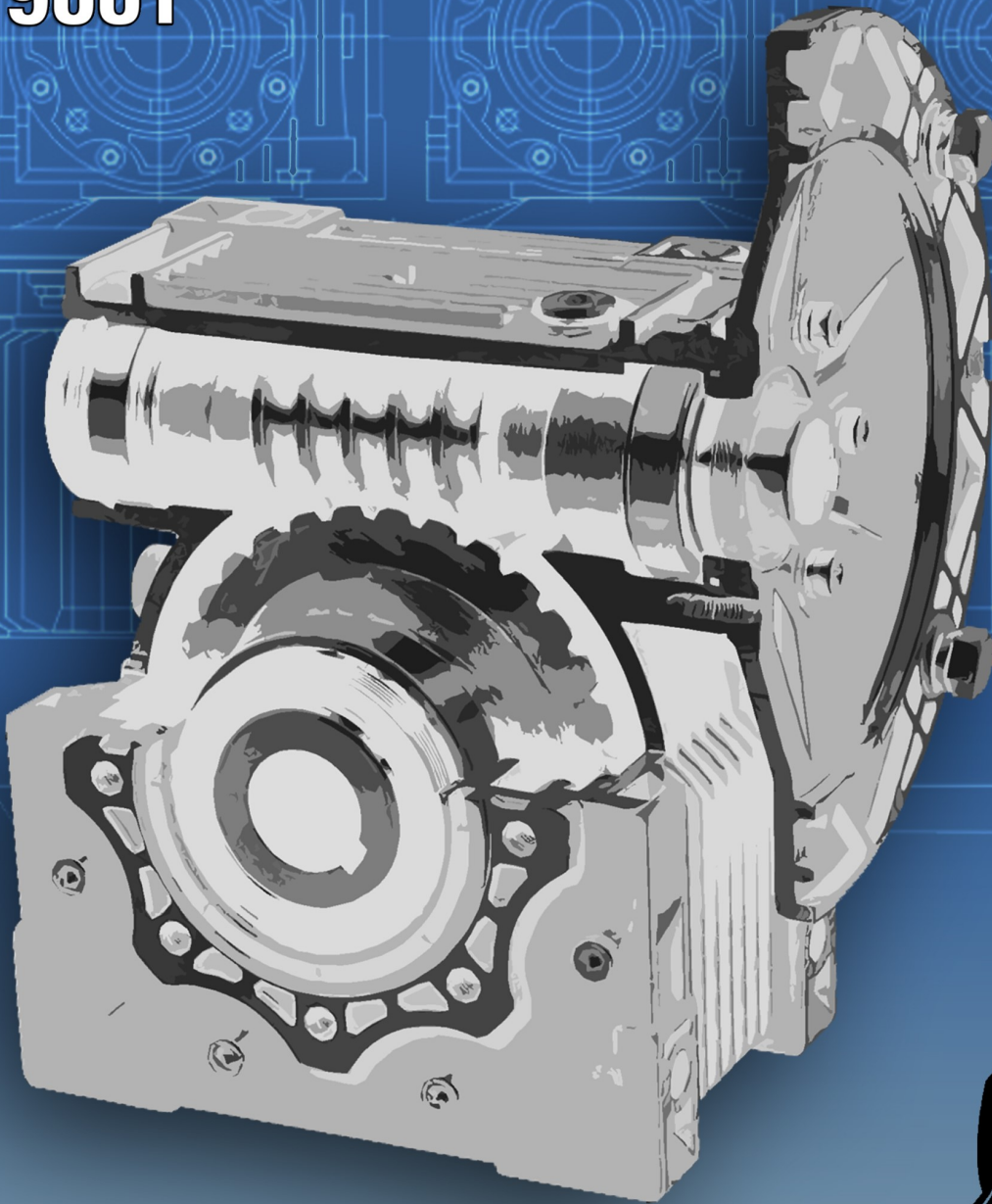


WORM GEAR SPEED REDUCERS



ISO
9001

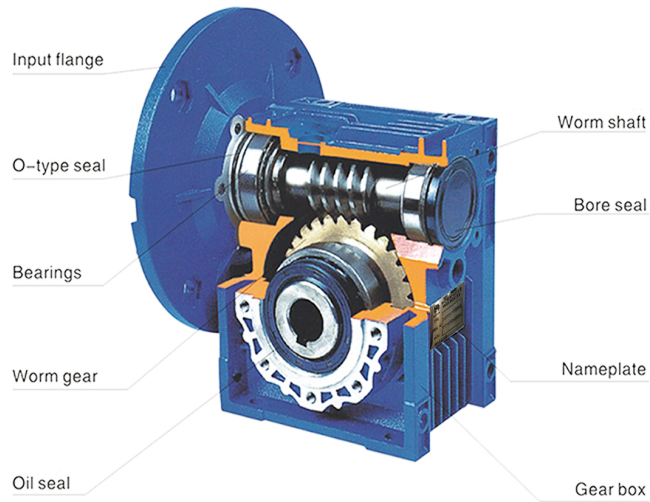


<https://www.muller.co.th>

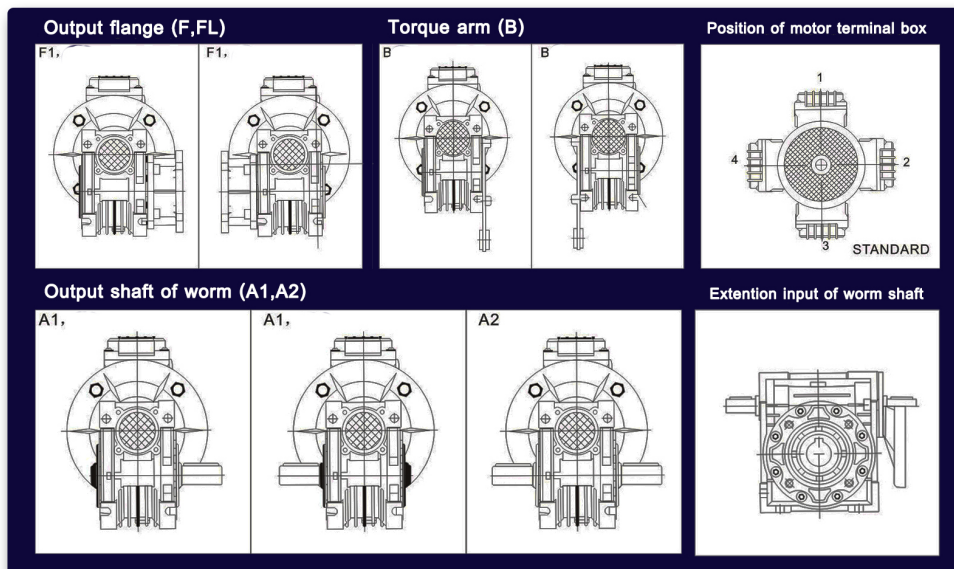
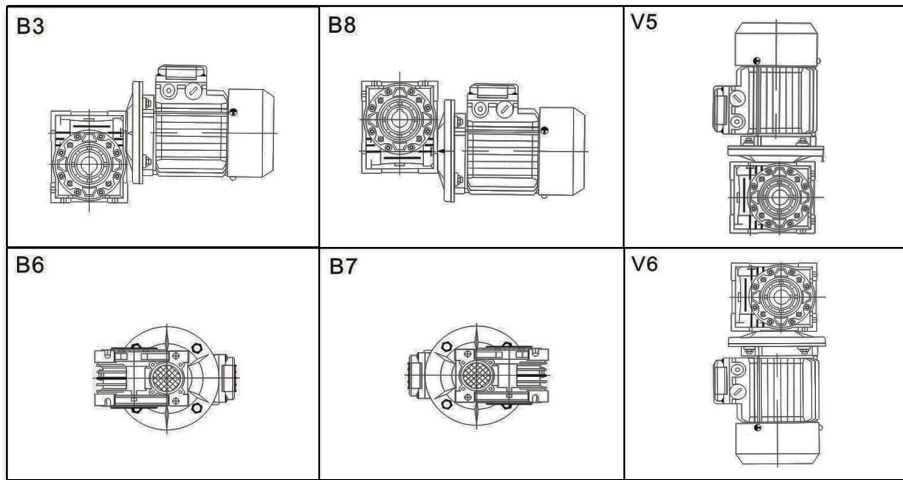


RV SERIES

STRUCTURAL PICTURE



RV Mounting positions



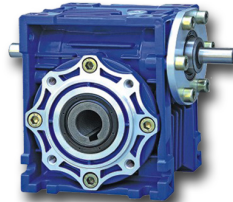
WORM GEAR REDUCERS RATING (n1 = 1400 r/min)



RV



RV-F1



RVL-S



RV-S

TYPE	i	kw	n2	M2
RV 030	7.5	0.18	186	7.9
	10	0.18	140	10.2
	15	0.18	94	14.4
	20	0.18	70	16.5
	25	0.18	56	21.5
	30	0.18	47	24.6
	40	0.12	35	17
	50	0.12	28	23.2
	60	0.09	24	19.2
80	0.06	18	13.8	

TYPE	i	kw	n2	M2
RV 040	7.5	0.37	186	16.3
	10	0.37	140	21.2
	15	0.37	94	30.5
	20	0.37	70	40
	25	0.37	56	46.6
	30	0.37	47	51.2
	40	0.25	35	45.6
	50	0.18	28	37.1
	60	0.18	24	37.9
	80	0.12	18	33.6
100	0.12	14	39	

TYPE	i	kw	n2	M2
RV 050	7.5	0.75	186	33.6
	10	0.75	140	43.6
	15	0.75	94	62
	20	0.75	70	82.4
	25	0.55	56	72.3
	30	0.55	47	80
	40	0.55	35	104
	50	0.37	28	80.1
	60	0.37	24	80.6
80	0.25	18	72.4	
100	0.18	14	59.3	

TYPE	i	kw	n2	M2
RV 063	7.5	1.50	186	67.6
	10	1.50	140	89.1
	15	1.50	94	127.5
	20	1.50	70	167.9
	25	1.10	56	146.4
	30	1.10	47	166.7
	40	0.75	35	146.6
	50	0.55	28	123.9
	60	0.55	24	128.6
	80	0.37	18	113.5
100	0.37	14	122.6	

TYPE	i	kw	n2	M2
RV 075	7.5	4	186	186.8
	10	3	140	185
	15	3	94	269
	20	1.5	70	174.1
	25	1.5	56	217.1
	30	1.5	47	248.9
	40	1.10	35	231.4
	50	0.75	28	196.8
	60	0.75	24	213.40
	80	0.55	18	215.8
100	0.55	14	235.5	

TYPE	i	kw	n2	M2
RV 090	7.5	4	186	185.3
	10	4	140	245.1
	15	4	94	357.7
	20	4	70	463.5
	25	3	56	422
	30	3	47	494.1
	40	1.5	35	313.3
	50	1.5	28	372.1
	60	1.50	24	423.8
	80	0.75	18	261.1
100	0.75	14	292.7	

TYPE	i	kw	n2	M2
RV 110	7.5	7.50	186	346.9
	10	7.50	140	455.8
	15	5.50	94	481.6
	20	5.50	70	636.2
	25	4	56	580.4
	30	4	47	644.5
	40	3	35	635.1
	50	3	28	785.8
	60	2.20	24	638.1
	80	1.50	18	550.7
100	1.10	14	471.2	

TYPE	i	kw	n2	M2
RV 130	7.5	7.50	186	350.8
	10	7.50	140	455.8
	15	7.50	94	664.8
	20	7.50	70	879.9
	25	7.50	56	1080.7
	30	5.50	47	897.3
	40	5.50	35	1168.9
	50	4	28	1034
	60	4	24	1192
	80	2.20	18	783.1
100	2.20	14	985.9	

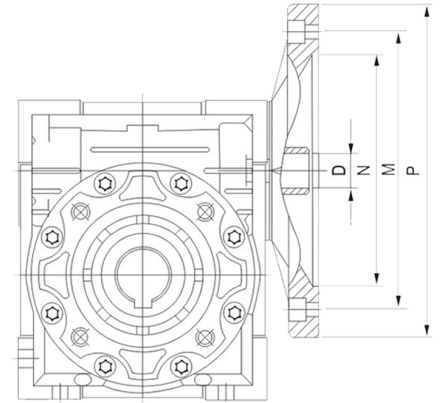
* i : Ratio , Kw : Input power
n2 : Output speed (rpm) , M2 : Output torque (Nm)

DIMENSIONS

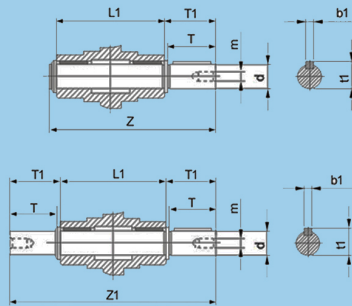
RV Motor connection for RV reducer

	PAME IEC	N		M		P	
		B5	B14	B5	B14	B5	B14
RV 030	56B5/B14	80	50	100	65	120	80
	63B5/B14	95	60	115	75	140	90
RV 040	56B5	80	-	100	-	120	-
	63B5/B14	95	60	115	75	140	90
RV 050	71B5/B14	110	70	130	85	160	105
	63B5	95	-	115	-	140	-
RV 063	71B5/B14	110	70	130	85	160	105
	80B5/B14	130	80	165	100	200	120
RV 075	71B5/B14	110	70	130	85	160	105
	80B5/B14	130	80	165	100	200	120
RV 090	90B5/B14	130	95	165	115	200	140
	80B5/B14	130	80	165	100	200	120
RV 110	90B5/B14	130	95	165	115	200	140
	100B5/B14	180	110	215	130	250	160
RV 130	112B5/B14	180	110	215	130	250	160
	90B5	130	-	165	-	200	-

7.5	10	15	20	25	30	40	50	60	80	100
D										
9	9	9	9	9	9	9	9	9	9	-
11	11	11	11	11	11	11	11	-	-	-
-	-	-	-	-	-	-	9	9	9	9
11	11	11	11	11	11	11	11	11	11	11
14	14	14	14	14	14	14	-	-	-	-
-	-	-	-	-	-	11	11	11	11	11
14	14	14	14	14	14	14	14	14	14	14
19	19	19	19	19	19	19	-	-	-	-
-	-	-	-	-	-	14	14	14	14	14
19	19	19	19	19	19	19	19	19	19	19
24	24	24	24	24	24	-	-	-	-	-
-	-	-	-	-	-	19	19	19	19	19
24	24	24	24	24	24	24	-	-	-	-
28	28	28	28	28	28	-	-	-	-	-
28	28	28	28	28	28	-	-	-	-	-
-	-	-	-	-	-	19	19	19	19	19
28	28	28	28	28	28	28	28	28	28	28
28	28	28	28	28	28	-	-	-	-	-
-	-	-	-	-	-	24	24	24	24	24
28	28	28	28	28	28	28	28	28	28	28
28	28	28	28	28	28	28	28	28	28	28
-	-	-	-	-	-	-	-	-	-	-
28	28	28	28	28	28	28	28	28	28	28
38	38	38	38	38	38	-	-	-	-	-

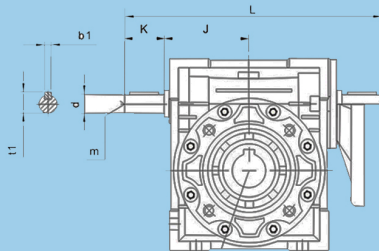


Output shaft (A1,A2) dimensions



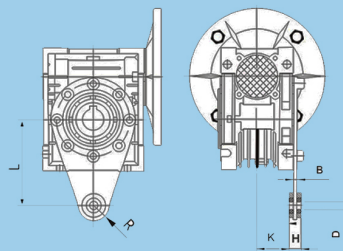
	d(h6)	T	T1	L1	Z	Z1	m	b1	t1
030	14	30	32.5	63	102	128	M6	5	16
040	18	40	43	78	128	164	M6	6	20.5
050	25	50	53.5	92	153	199	M10	8	28
063	25	50	53.5	112	173	219	M10	8	28
075	28	60	63.5	120	192	247	M10	8	31
090	35	80	84.5	140	234	309	M12	10	38
110	42	80	84.5	155	249	324	M16	12	45
130	45	80	85	170	265	340	M16	14	48.5

Extension worm shaft (S) dimensions



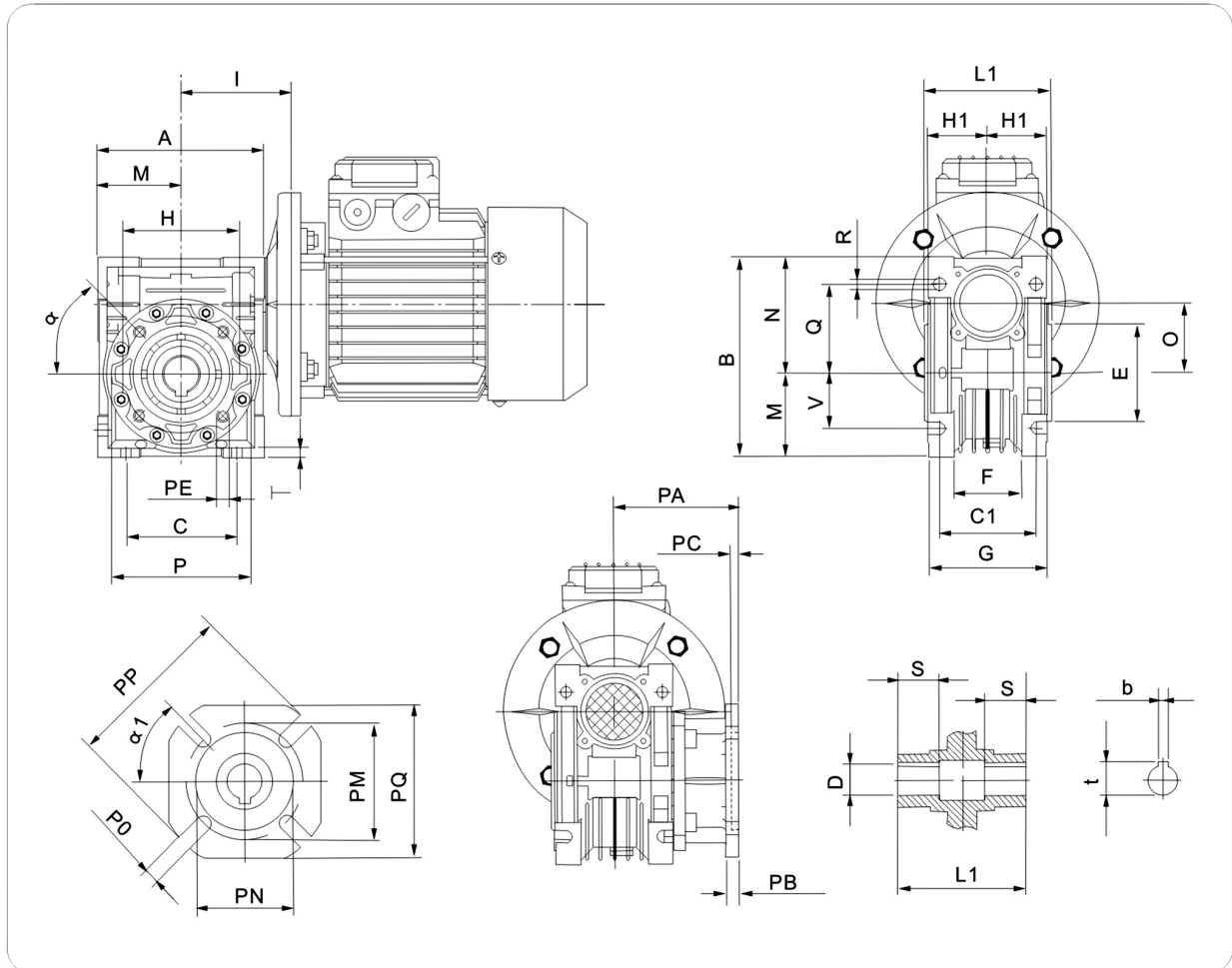
	J	d(h6)	K	L	m	b1	t1
030	45	9	20	136	-	3	10.2
040	53	11	23	165	-	4	12.5
050	63	14	30	198	M6	5	16
063	75	19	40	245	M6	6	21.5
075	90	24	50	295	M8	8	27
090	108	24	50	333	M8	8	27
110	135	28	60	397	M10	8	31
130	155	30	80	477	M10	8	33

Torque arm (B) dimensions



	L	H	K	D	R	B
030	85	14	24	8	15	4
040	100	14	31.5	10	18	4
050	100	14	38.5	10	18	4
063	150	14	49	10	18	6
075	200	25	47.5	20	30	6
090	200	25	57.5	20	30	6
110	250	30	62	25	35	6
130	250	30	69	25	35	6

RV Dimensions



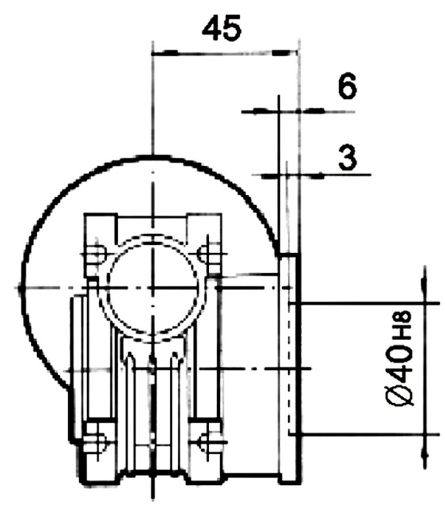
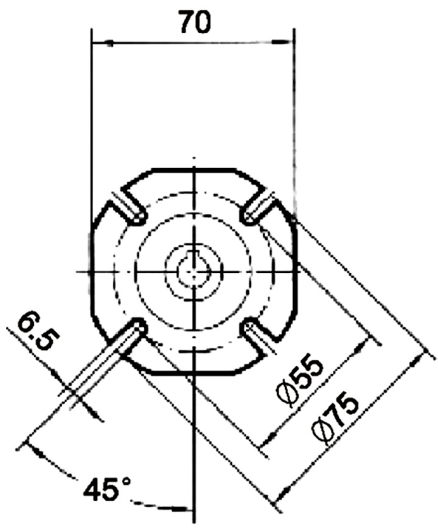
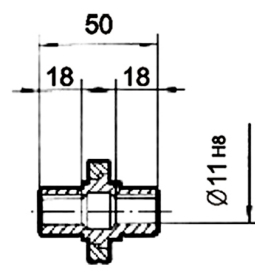
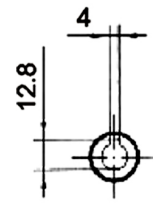
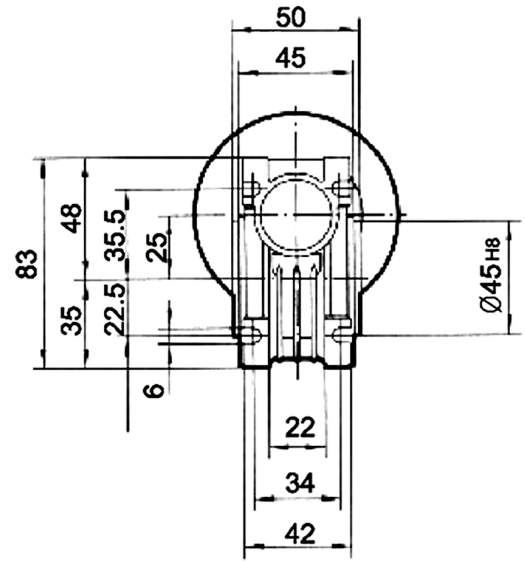
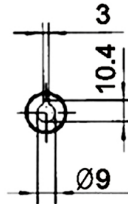
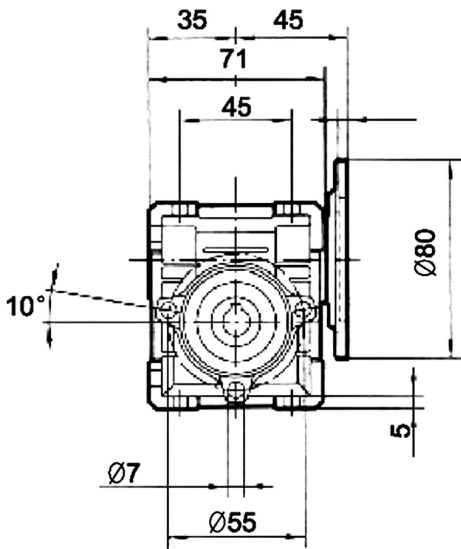
RV	A	B	C	C1	D(F7)	E(H8)	F	G	H	H1	I	L1	M	N	O	P	Q	R
030	80	97	54	44	14	55	32	56	65	29	55	63	40	57	30	75	44	6.5
040	100	121.5	70	60	18(19)	60	43	71	75	36.5	70	78	50	71.5	40	87	55	6.5
050	120	144	80	70	25(24)	70	49	85	85	43.5	80	92	60	84	50	100	64	8.5
063	144	174	100	85	25(28)	80	67	103	95	53	95	112	72	102	63	110	80	8.5
075	172	205	120	90	28(35)	95	72	112	115	57	112.5	120	86	119	75	140	93	11
090	206	238	140	100	35(38)	110	74	130	130	67	129.5	140	103	135	90	160	102	13
110	252.5	295	170	115	42	130	-	144	165	74	160	155	127.5	167.5	110	200	125	14
130	292.5	335	200	120	45	180	-	155	215	81	180	170	147.5	187.5	130	250	140	16

RV	S	T	V	PA	PB	PC	PE	PM	PN(H8)	PO	PP	PQ	b	t	α	α1	Kg
030	21	5.5	27	54.5	6	4	M6x11(n=4)	68	50	6.5(n=4)	80	70	5	16.3	0°	45°	1.2
040	26	6.5	35	67(97)	7	4	M6x8(n=4)	75	60	9(n=4)	110	95	6(6)	20.8(21.8)	45°	45°	2.3
050	30	7	40	90(120)	9	5	M8x10(n=4)	85	70	11(n=4)	125	110	8(8)	28.3(27.3)	45°	45°	3.5
063	36	8	50	82(112)	10	6	M8x14(n=8)	150	115	11(n=4)	180	142	8(8)	28.3(31.3)	45°	45°	6.2
075	40	10	60	111	13	6	M8x14(n=8)	165	130	14(n=4)	200	170	8(10)	31.3(38.3)	45°	45°	9
090	45	11	70	111	13	6	M10x18(n=8)	175	152	14(n=4)	210	200	10(10)	38.3(41.3)	45°	45°	13
110	50	14	85	131	15	6	M10x18(n=8)	230	170	14(n=8)	280	260	12	45.3	45°	45°	35
130	60	15	100	140	15	6	M12x21(n=8)	255	180	16(n=8)	320	290	14	48.8	45°	22.5°	48

****Data are subjected to change without prior notice****

RV 025

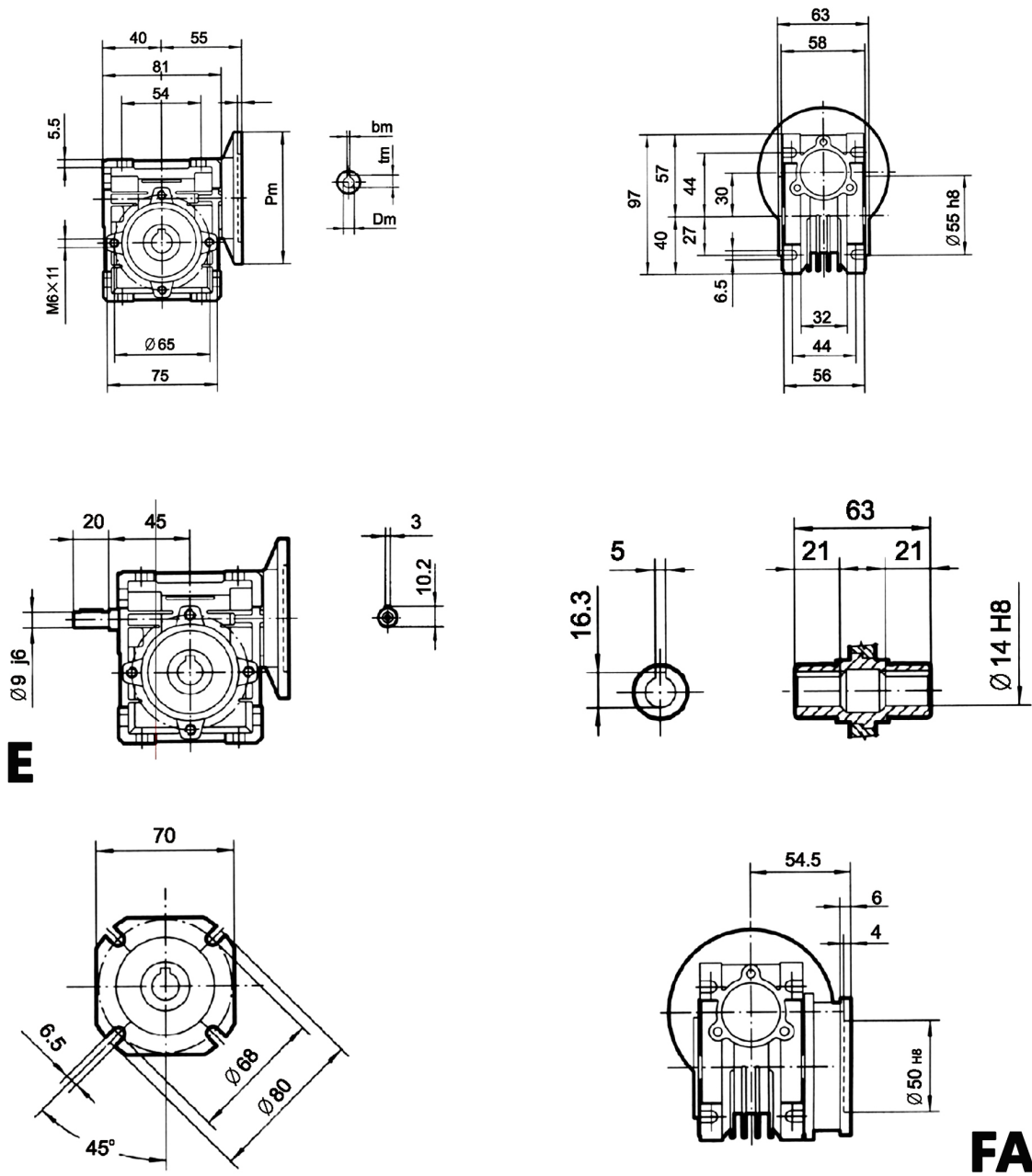
Weight without motor ~ 0.7 kg.



FA

RV 030

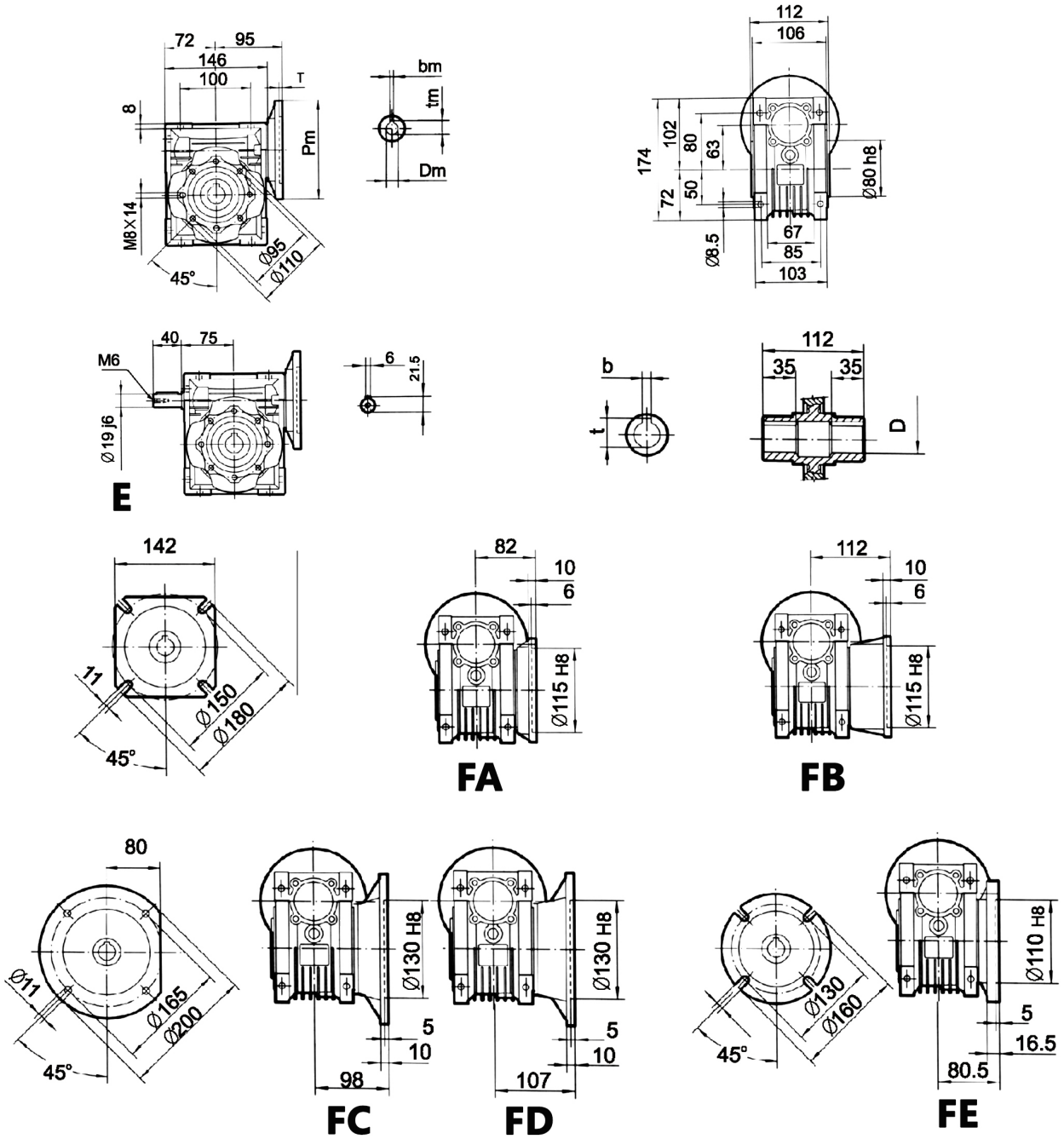
Weight without motor ~ 1.2 kg.



PAM IEC	PM	DM E8	bM	tm
63B5	140	11	4	12.8
56B5	120	9	3	10.4
63B14	90	11	4	12.8
56B14	80	9	3	10.4

RV 063

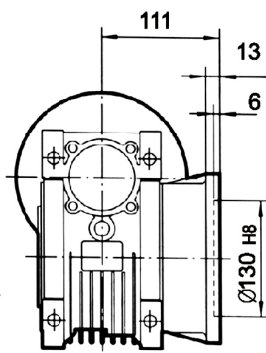
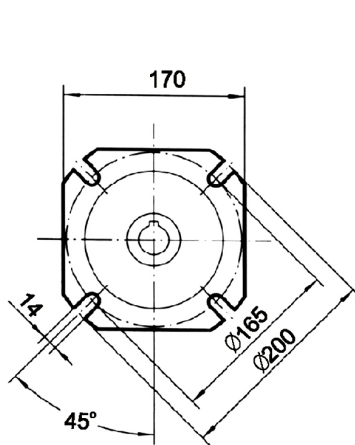
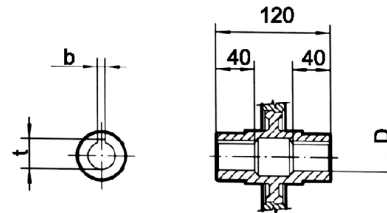
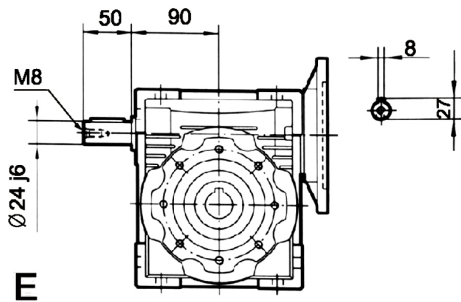
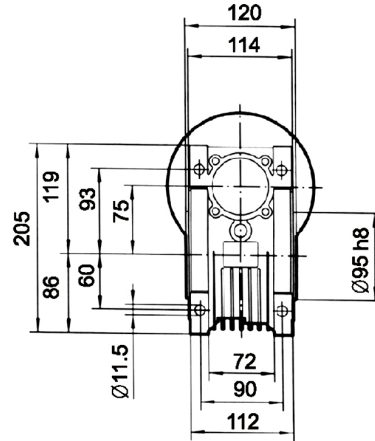
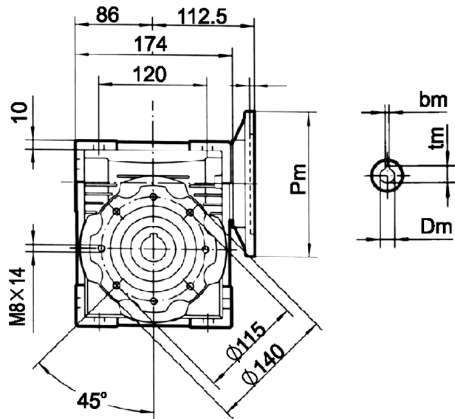
Weight without motor ~ 6.2 kg.



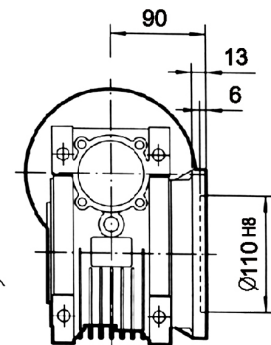
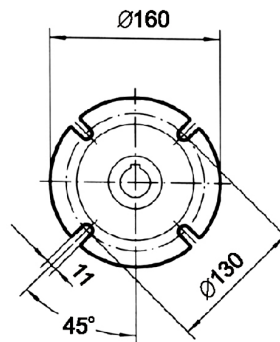
PAM IEC	Pm	DmE8	bm	tm	DH8	b	t
90B5	200	24	8	27.3	25	8	28.3
80B5	200	19	6	21.8	28*	8*	31.3*
71B5	160	14	5	16.3	*Only on request		
90B14	140	24	8	27.3			
80B14	120	19	6	21.8			
71B14	105	14	5	16.3			

RV 075

Weight without motor ~ 9 kg.



FA

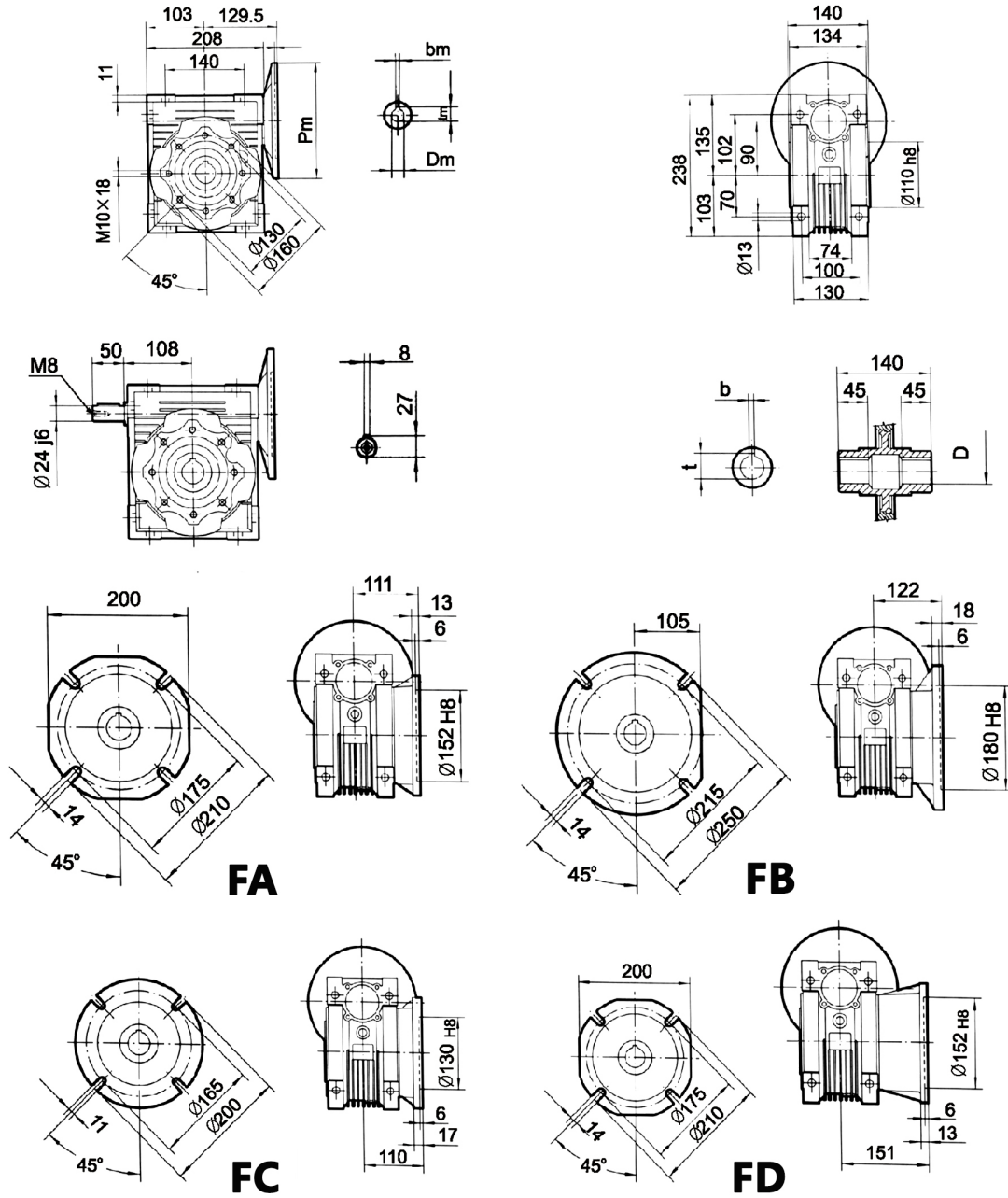


FB

PAM IEC	Pm	Dm E8	bm	tm	Dh8	b	t
100/112B5	250	28	8	31.3	28	8	31.3
90B5	200	24	8	27.3	35*	10*	38.3*
80B5	200	19	6	21.8	*Only on request		
71B5	160	14	5	16.3			
100/112B14	160	28	8	31.3			
90B14	140	24	8	27.3			
80B14	120	19	6	21.8			

RV 090

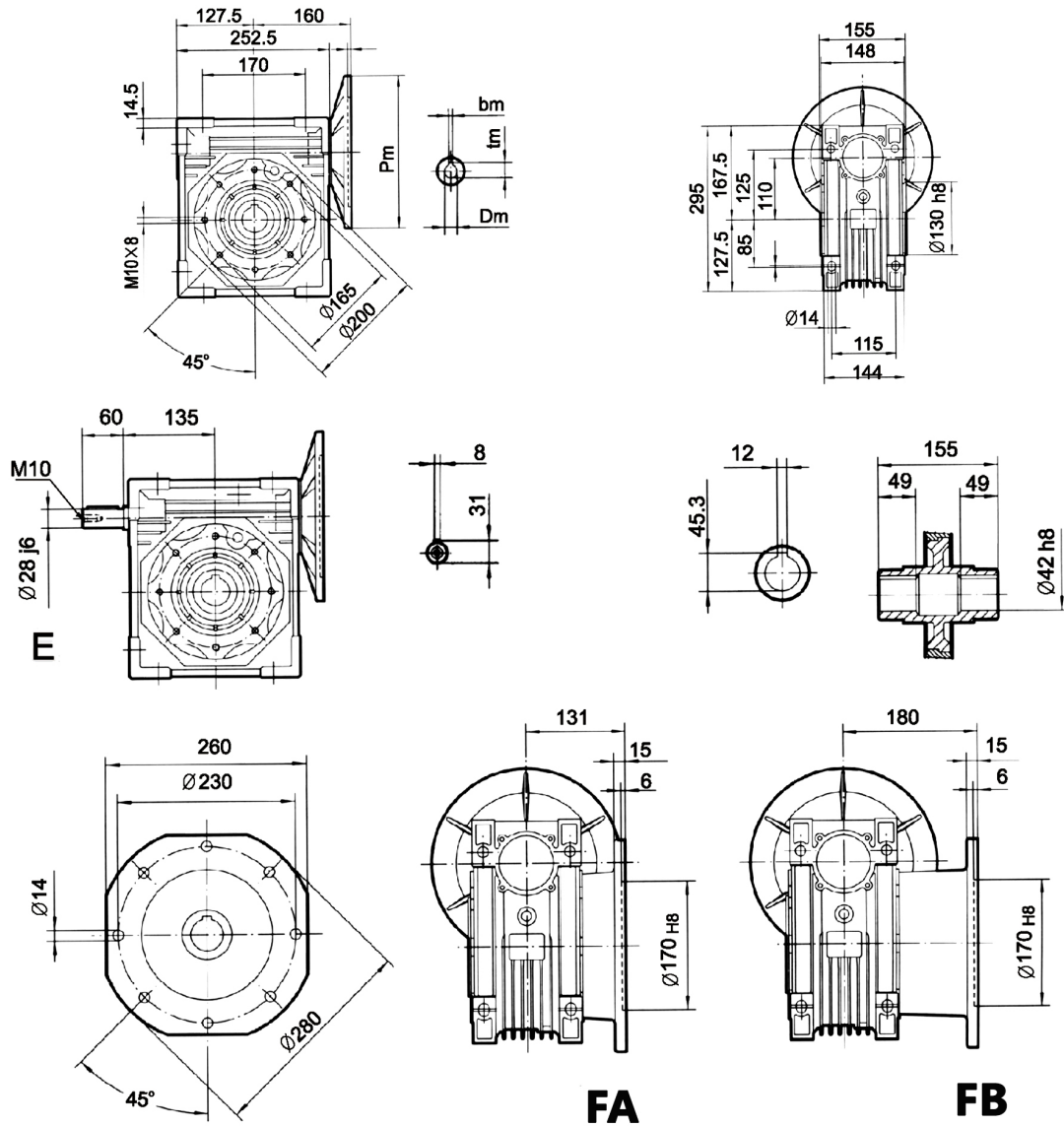
Weight without motor ~ 13 kg.



PAM IEC	P_m	$D_m E_8$	b_m	t_m	D_{H8}	b	t
100/112B5	250	28	8	31.3	35	10	38.3
90B5	200	24	8	27.3	38*	10*	41.3*
80B5	200	19	6	21.8	*Only on request		
100/112B14	160	28	8	31.3			
90B14	140	24	8	27.3			
80B14	120	19	6	21.8			

RV 110

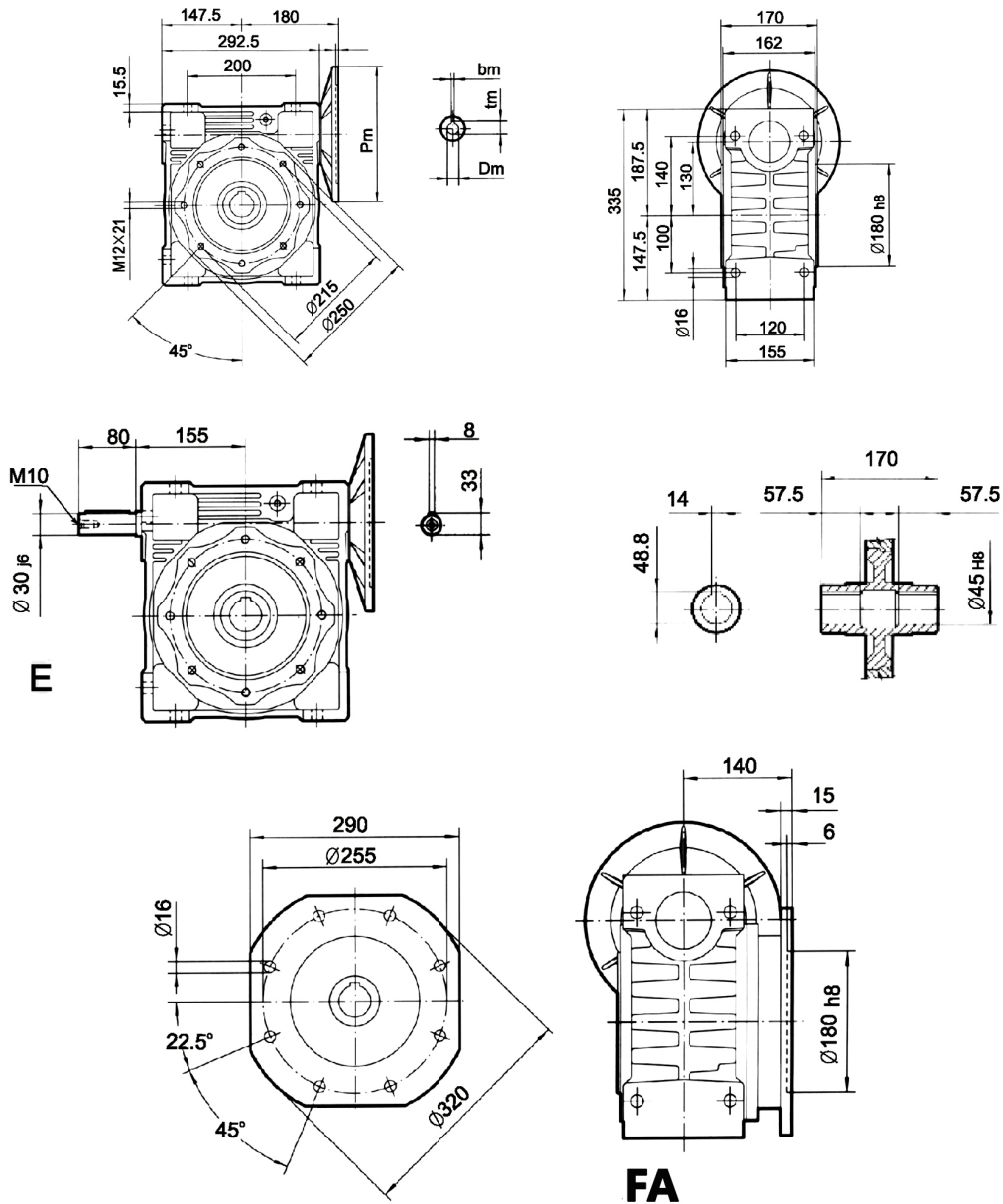
Weight without motor ~ 35 kg.



PAM IEC	P _m	D _m E8	b _m	t _m
132B5	300	38	10	41.3
112B5	250	28	8	31.3
100B5	250	28	8	31.3
90B5	200	24	8	27.3
80B5	200	19	6	21.8

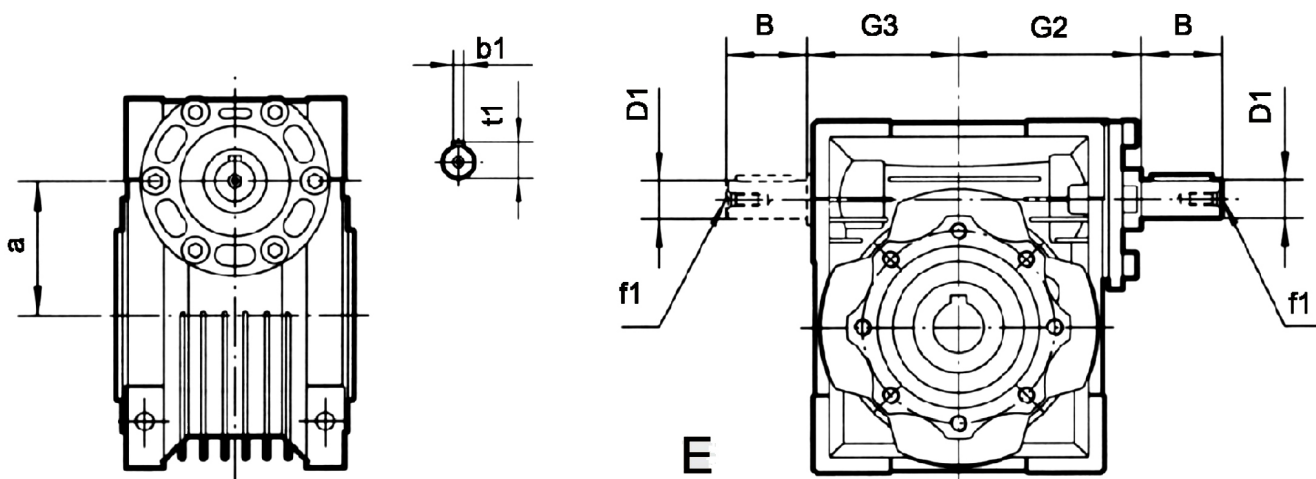
RV 130

Weight without motor ~ 48 kg.



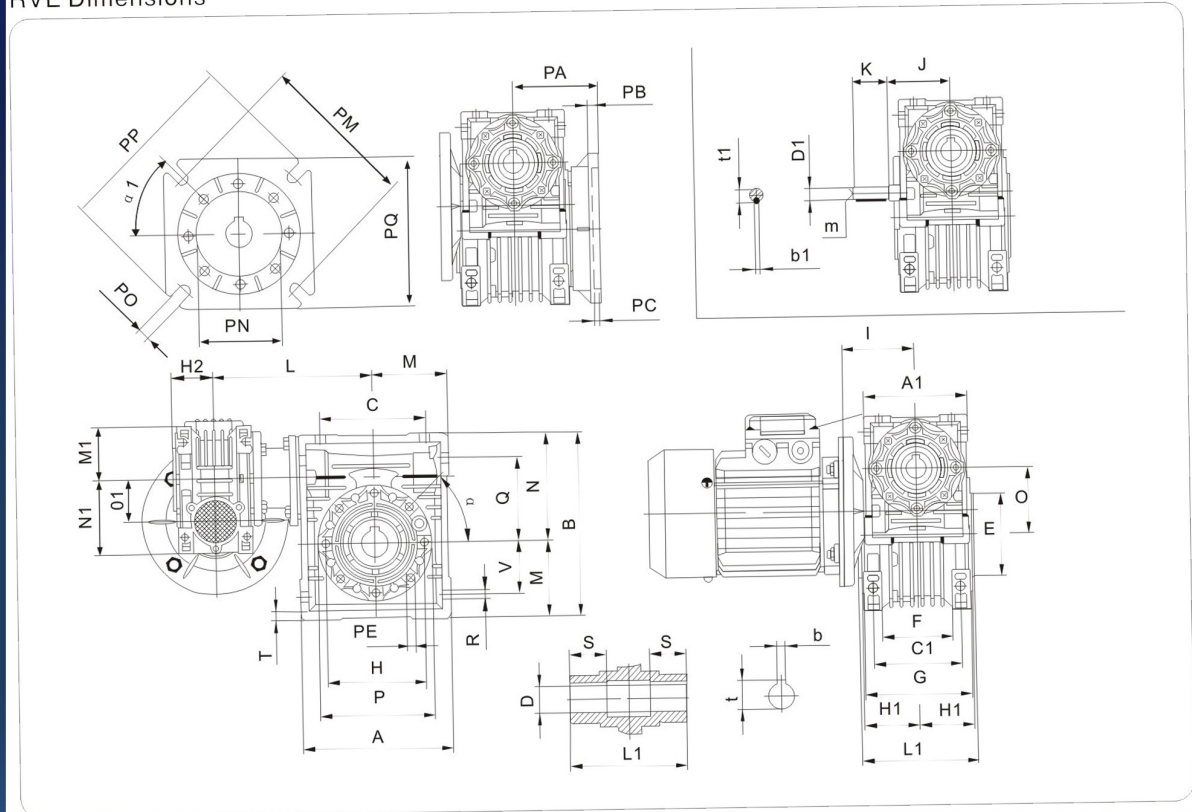
PAM IEC	Pm	Dm E8	b _m	t _m
132B5	300	38	10	41.3
112B5	250	28	8	31.3
100B5	250	28	8	31.3
90B5	200	24	8	27.3

NRV WORM GEAR UNITS



NRV	030	040	050	063	075	090	110	130
B	20	23	30	40	50	50	60	80
D1 j6	9	11	14	19	24	24	28	30
G2	51	60	74	90	105	125	142	162
G3	45	53	64	75	90	108	135	155
a	30	40	50	63	75	90	110	130
b1	3	4	5	6	8	8	8	8
f1	-	-	M6	M6	M8	M8	M10	M10
t1	10.2	12.5	16	21.5	27	27	31	33

RVE Dimensions



RVE	A	A1	B	C	C1	D(F7)	D1(J6)	E(H8)	F	G	H	H1	H2	I	J	K	L	L1	M	M1	N	N1	O	O1	P
030/040	100	80	121.5	70	60	18(19)	9	60	43	71	75	36.5	29	55	51	20	121	78	50	40	71.5	57	40	30	87
030/050	120	80	144	80	70	25(24)	9	70	49	85	85	43.5	29	55	51	20	128	92	60	40	84	57	50	30	100
030/063	144	80	174	100	85	25(28)	9	80	67	103	95	53	29	55	51	20	143	112	72	40	102	57	63	30	110
040/075	172	100	205	120	90	28(35)	11	95	72	112	115	57	36.5	70	60	23	168	120	86	50	119	71.5	75	40	140
040/090	206	100	238	140	100	35(38)	11	110	74	130	130	67	36.5	70	60	23	185	140	103	50	135	71.5	90	40	160
050/110	252.5	120	295	170	115	42	14	130	-	144	165	74	43.5	80	74	30	222.5	155	127.5	60	167.5	84	110	50	200
063/130	292.5	144	335	200	120	45	19	180	-	155	215	81	53	95	90	40	250.5	170	147.5	72	187.5	102	130	63	250

RVE	Q	R	S	T	V	PA	PB	PC	PE	PM	PN(H8)	PO	PP	PQ	α	α1	b	b1	t	t1	m	Kg
030/040	55	6.5	26	6.5	35	67(97)	7	4	M6x8(n=4)	75	60	9(n=4)	110	110	45°	45°	6(6)	3	20.8(21.8)	10.2	-	3.9
030/050	64	8.5	30	7	40	90(120)	9	5	M8x10(n=4)	85	70	11(n=4)	125	110	45°	45°	8(8)	3	28.3(27.3)	10.2	-	5.0
030/063	80	8.5	36	8	50	82(112)	10	6	M8x14(n=8)	150	115	11(n=4)	180	142	45°	45°	8(8)	3	28.3(31.3)	10.2	-	7.8
040/075	93	11	40	10	60	111	13	6	M8x14(n=8)	165	130	14(n=4)	200	170	45°	45°	8(10)	4	31.3(38.3)	12.5	-	12.0
040/090	102	13	45	11	70	111	13	6	M10x18(n=8)	175	152	14(n=4)	210	200	45°	45°	10(10)	4	38.3(41.3)	12.5	-	16.0
050/110	125	14	50	14	85	131	15	6	M10x18(n=8)	230	170	14(n=8)	280	260	45°	45°	12	5	45.3	16.0	M6	39.2
063/130	140	16	60	15	100	140	15	6	M12x21(n=8)	255	180	16(n=8)	320	290	45°	22.5°	14	6	48.3	21.5	M6	55.0



MULLER MECHANIC CO.,LTD

Tel.0-2812-2021 (Auto) , E-mail : Sales@muller.co.th



www.muller.co.th



มอเตอร์เกียร์ มุลเลอร์



sales.mu