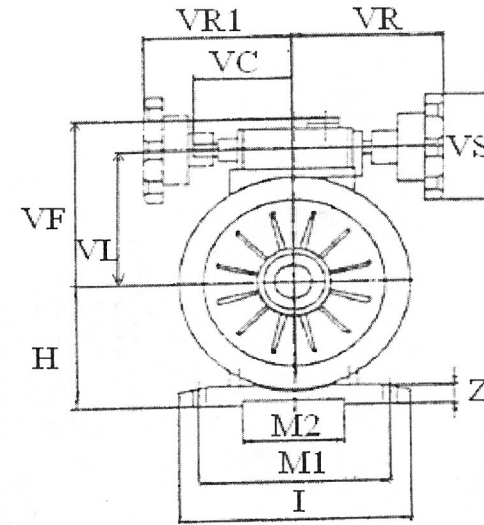
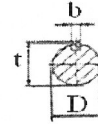
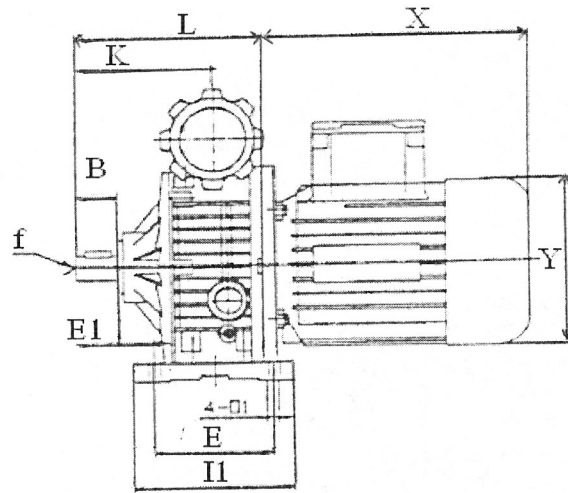


MODEL B3(ขาตั้ง)

B3 (Model)

200-1000RPM



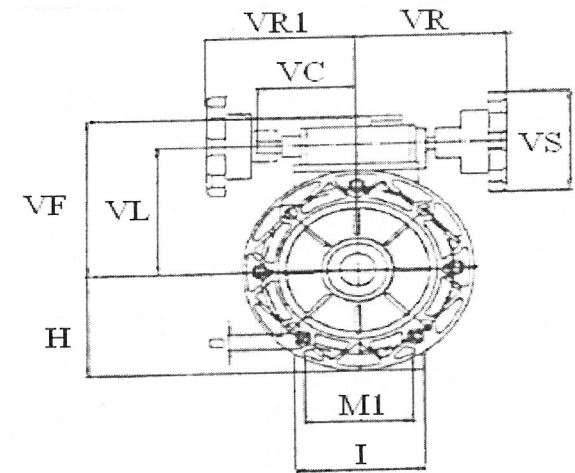
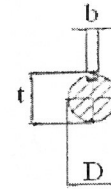
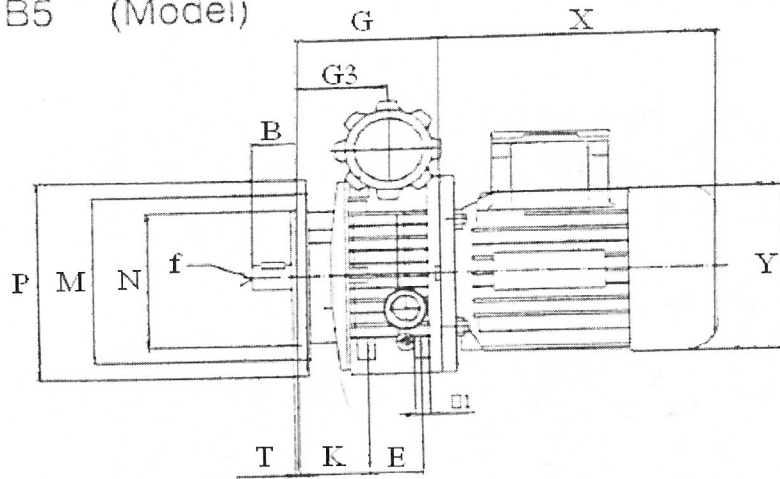
DISCO SPEED VARIATOR REDUCER/IEC STANDARD

| MODEL     | B  | D(6j) | E   | E1   | H   | I   | II  | K     | L     | M1  | M2  | O1 | VC | VF  | VL  | VR  | VR1 | VS  | b  | f   | t    | X   | Y   | Z  |
|-----------|----|-------|-----|------|-----|-----|-----|-------|-------|-----|-----|----|----|-----|-----|-----|-----|-----|----|-----|------|-----|-----|----|
| UDL0.18B3 | 23 | 11    | 105 | 17.5 | 80  | 145 | 120 | 87.5  | 135.5 | 110 | 71  | 9  | 71 | 111 | 78  | 110 | 110 | 85  | 4  | -   | 12.5 | 200 | 120 | 10 |
| UDL0.37B3 | 30 | 14    | 104 | 20   | 93  | 149 | 125 | 104   | 140   | 120 | 96  | 9  | 71 | 123 | 90  | 110 | 110 | 85  | 5  | M6  | 16   | 227 | 141 | 10 |
| UDL0.75B3 | 40 | 19    | 125 | 26   | 113 | 190 | 150 | 125.5 | 179   | 160 | 135 | 11 | 79 | 140 | 107 | 120 | 120 | 110 | 6  | M6  | 21.5 | 268 | 160 | 15 |
| UD1.1B3   | 40 | 24    | 105 | 34.5 | 100 | 207 | 130 | 136   | 187   | 160 | 115 | 13 | -  | 124 | 102 | 150 | -   | 110 | 8  | M8  | 27   | 265 | 195 | 15 |
| UD1.5B3   | 50 | 24    | 115 | 53.5 | 123 | 241 | 150 | 165   | 238   | 190 | 143 | 13 | -  | 144 | 122 | 150 | -   | 110 | 8  | M8  | 27   | 290 | 195 | 18 |
| UD2.2B3   | 60 | 30    | 230 | 25   | 150 | 300 | 270 | 191   | 268   | 245 | 190 | 14 | -  | 188 | 150 | 160 | -   | 110 | 8  | M8  | 33   | 320 | 215 | 25 |
| UD3.0B3   | 60 | 30    | 230 | 25   | 150 | 300 | 270 | 191   | 268   | 245 | 190 | 14 | -  | 188 | 150 | 160 | -   | 110 | 8  | M8  | 33   | 320 | 215 | 25 |
| UD4.0B3   | 60 | 30    | 230 | 25   | 150 | 300 | 270 | 191   | 268   | 245 | 190 | 14 | -  | 188 | 150 | 160 | -   | 110 | 8  | M8  | 33   | 340 | 240 | 25 |
| UD5.5B3   | 70 | 35    | 250 | 33   | 200 | 365 | 290 | 201   | 319   | 315 | 245 | 18 | -  | -   | 192 | 194 | -   | 110 | 10 | M10 | 38   | 395 | 275 | 30 |
| UD7.5B3   | 70 | 35    | 250 | 33   | 200 | 365 | 290 | 201   | 319   | 315 | 245 | 18 | -  | -   | 192 | 194 | -   | 110 | 10 | M10 | 38   | 435 | 275 | 30 |

MODEL B5(หน้าแปลน)

B5 (Model)

200-1000RPM



**DISCO SPEED VARIATOR REDUCER/IEC STANDARD**

| MODEL     | B  | D(j6) | E  | G     | G3   | H   | I   | M   | M1 | N   | D  | D1 | P   | T   | K  | VC | VF  | VL  | VR  | VR1 | VS  | b  | f   | t    | X   | Y   |
|-----------|----|-------|----|-------|------|-----|-----|-----|----|-----|----|----|-----|-----|----|----|-----|-----|-----|-----|-----|----|-----|------|-----|-----|
| UDL0.18B5 | 23 | 11    | 50 | 112.5 | 64.5 | 70  | 72  | 115 | 60 | 95  | 9  | M6 | 140 | 3.5 | 46 | 71 | 111 | 78  | 110 | 110 | 85  | 4  | -   | 12.5 | 200 | 120 |
| UDL0.37B5 | 30 | 14    | 40 | 110   | 74   | 80  | 90  | 130 | 77 | 110 | 9  | M8 | 160 | 3.5 | 53 | 71 | 123 | 90  | 110 | 110 | 85  | 5  | M6  | 16   | 227 | 141 |
| UDL0.75B5 | 40 | 19    | 58 | 139   | 85.5 | 100 | 98  | 165 | 84 | 130 | 11 | M8 | 200 | 3.5 | 60 | 79 | 140 | 107 | 120 | 120 | 110 | 6  | M6  | 21.5 | 268 | 160 |
| UD1.1B5   | 40 | 24    | -  | 147   | 95   | 98  | 207 | 165 | -  | 130 | 11 | -  | 200 | 3.5 | -  | -  | 124 | 102 | 150 | -   | 110 | 8  | M8  | 27   | 265 | 195 |
| UD1.5B5   | 50 | 24    | -  | 188   | 115  | 126 | 241 | 165 | -  | 130 | 11 | -  | 200 | 3.5 | -  | -  | 144 | 122 | 150 | -   | 110 | 8  | M8  | 27   | 290 | 195 |
| UD2.2B5   | 60 | 30    | -  | 208   | 131  | 150 | 270 | 265 | -  | 230 | 15 | -  | 300 | 4   | -  | -  | 188 | 150 | 160 | -   | 110 | 8  | M8  | 33   | 320 | 215 |
| UD3.0B5   | 60 | 30    | -  | 208   | 131  | 150 | 270 | 265 | -  | 230 | 15 | -  | 300 | 4   | -  | -  | 188 | 150 | 160 | -   | 110 | 8  | M8  | 33   | 320 | 215 |
| UD4.0B5   | 60 | 30    | -  | 208   | 131  | 150 | 270 | 265 | -  | 230 | 15 | -  | 300 | 4   | -  | -  | 188 | 150 | 160 | -   | 110 | 8  | M8  | 33   | 340 | 240 |
| UD5.5B5   | 70 | 35    | -  | 244   | 131  | 200 | -   | 300 | -  | 250 | 19 | -  | 350 | 5   | -  | -  | -   | 192 | 194 | -   | 110 | 10 | M10 | 38   | 395 | 275 |
| UD7.5B5   | 70 | 35    | -  | 244   | 131  | 200 | -   | 300 | -  | 250 | 19 | -  | 350 | 5   | -  | -  | -   | 192 | 194 | -   | 110 | 10 | M10 | 38   | 435 | 275 |