

INDUCTION MOTORS BRAKE MOTORS

Energy efficient, Totally-Enclosed,
Squirrel-Cage, Single-Phase Motors, Three-Phase Motors



MECHANICAL AND ELECTRICAL DESIGN

Insulation And Insulation Classes

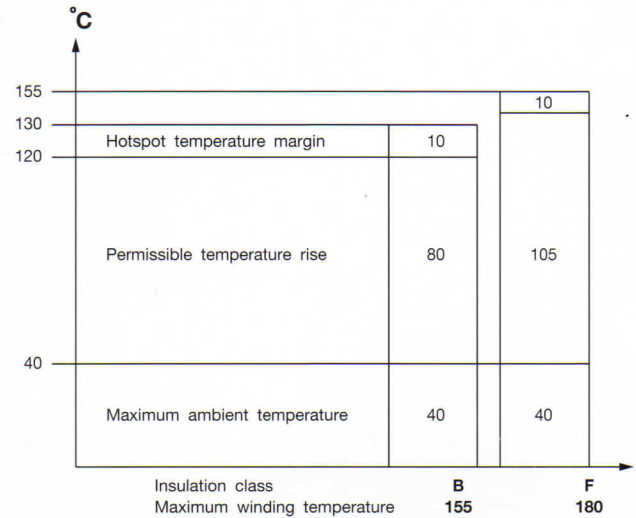
According to IEC 85, insulating materials are divided into insulation classes. Each class has a designation corresponding to the temperature that is the upper limit of the range of application of the insulating material under normal operating conditions.

The winding insulation of a motor is determined on the basis of the temperature rise in the motor and the ambient temperature. The insulation is normally dimensioned for the hottest point in the motor at its normal rated output and at ambient temperature of 40°C. Motors subjected to ambient temperatures above 40°C will generally have to derated.

In most cases, the standard rated outputs of motors from **MULLER MOTOR** are based on the temperature rise for insulation class B. Where the temperature rise is according to class F, this is specified in the data tables.

However, all the motors are designed with class F insulation, which permits a higher temperature rise than class B. The motors, therefore, have a generous over-load margin. If temperature rise to class F is allowed, the outputs given in the tables can generally be increased by about 12%

Temperature limits are according to standards. The extra thermal margin when using class F insulation with class B temperature rise makes the motors more reliable.



Bearings

The motors are normally fitted with single-row deep groove ball bearing as listed in the table. The complete bearing designation is stated on the motors rating plate.

If the bearing in the D-end of the motors is replaced with a roller bearing NU-or NJ-bearing, higher radial forces can be handled. Roller bearing are suitable for belt drive applications.

When there are high axial forces, angular-contact ball bearings should be used. The version is available on request. When a motor with angular-contact ball bearings is ordered, the method of mounting and direction and magnitude of the axial force must be specified. For special bearings.

| TERMINAL BOX DATA | | |
|-------------------|--------------------|-----------------|
| FRAME SIZE | MAX FULL LOAD AMP. | ENTRY HOLE SIZE |
| 63 - 80 | 2.6 | M16 x 1.5*1 |
| 90 - 100 | 6.8 | M20 x 1.5*1 |
| 112 - 132 | 15.4 | M25 x 1.5*2 |
| 160 - 180 | 42.5 | M40 x 1.5*2 |
| 200 - 225 | 84.2 | M50 x 1.5*2 |
| 250 - 355 | 546 | M63 x 1.5*2 |

| BEARINGS SIZE | | | | | | | | |
|---------------|------|----------------|----------------|-----------|-------|------|-------|------|
| CAST IRON | | | | ALUMINIUM | | | | |
| FRAME | POLE | D.E | N.D.E | FRAME | POLE | D.E. | N.D.E | |
| QY2-80 | 2 | 6204-2RZ/Z1/C3 | 6204-2RZ/Z1/C3 | AL56 | 2 | 6201 | 6201 | |
| | 4 | | | | 6201 | 6201 | | |
| | 6 8 | | | | 6201 | 6201 | | |
| QY2-90 | 2 | 6205-2RZ/Z1/C3 | 6205-2RZ/Z1/C3 | | AL63 | 4 | 6201 | 6201 |
| | 4 | | | | | 6201 | 6201 | |
| | 6 8 | | | | | 6201 | 6201 | |
| QY2-100 | 2 | 6206-2RZ/Z1/C3 | 6206-2RZ/Z1/C3 | AL71 | | 2 | 6202 | 6202 |
| | 4 | | | | | 6202 | 6202 | |
| | 6 8 | | | | | 6202 | 6202 | |
| QY2-112 | 2 | 6208-2RZ/Z1/C3 | 6208-2RZ/Z1/C3 | | AL80 | 4 | 6204 | 6204 |
| | 4 | | | | | 6204 | 6204 | |
| | 6 8 | | | | | 6204 | 6204 | |
| QY2-132 | 2 | 6209-2RZ/Z1/C3 | 6209-2RZ/Z1/C3 | AL90 | | 2 | 6205 | 6205 |
| | 4 | | | | | 6205 | 6205 | |
| | 6 8 | | | | | 6205 | 6205 | |
| QY2-160 | 2 | 6211-Z1/C3 | 6211-Z1/C3 | | AL100 | 4 | 6206 | 6206 |
| | 4 | | | | | 6206 | 6206 | |
| | 6 8 | | | | | 6206 | 6206 | |
| QY2-180 | 2 | 6313-Z1/C3 | 6313-Z1/C3 | AL112 | | 2 | 6306 | 6306 |
| | 4 | | | | | 6306 | 6306 | |
| | 6 8 | | | | | 6306 | 6306 | |
| QY2-200 | 2 | 6314-Z1/C3 | 6314-Z1/C3 | | AL132 | 4 | 6308 | 6308 |
| | 4 | | | | | 6308 | 6308 | |
| | 6 8 | | | | | 6308 | 6308 | |
| QY2-225 | 2 | 6317-Z1/C3 | 6317-Z1/C3 | AL132 | | 2 | 6308 | 6308 |
| | 4 | | | | | 6308 | 6308 | |
| | 6 8 | | | | | 6308 | 6308 | |
| QY2-250 | 2 | 6319-Z1/C3 | 6319-Z1/C3 | | AL132 | 4 | 6308 | 6308 |
| | 4 | | | | | 6308 | 6308 | |
| | 6 8 | | | | | 6308 | 6308 | |
| QY2-280 | 2 | 6319-Z1/C3 | 6319-Z1/C3 | AL132 | | 2 | 6308 | 6308 |
| | 4 | | | | | 6308 | 6308 | |
| | 6 8 | | | | | 6308 | 6308 | |
| QY2-315 | 2 | 6322-Z1/C3 | 6322-Z1/C3 | | AL132 | 4 | 6308 | 6308 |
| | 4 | | | | | 6308 | 6308 | |
| | 6 8 | | | | | 6308 | 6308 | |

MECHANICAL AND ELECTRICAL DESIGN

Operating Conditions

| | |
|---------------------|---|
| Ambient temperature | : -15 °C < 0 < 40 °C |
| Altitude | : Altitude should be lower than 1000 meters above sea level. |
| Rated voltage | : 220/380V.,380/660V. |
| Rated frequency | : 50Hz./60Hz |
| Connection | : Star-connection for 4 kw or less whereas Delta-connection for 5.5 kw or more. |
| Duty / Rating | : S1=Continuous Service |
| Insulation class | : F, the temperature rise of the stator winding is examined at 80 K (by resistance method). |
| Protection class | : IP55. |
| Cooling method | : IC 411 |

Altitude and Temperature

The power rating shown refer to motors which normally operating conditions, motors characteristics will vary according to the coefficients shown in the chart below.

| Ambient Temperature (°C) | % Nominal Power Rating |
|--------------------------|------------------------|
| 40 | 100% |
| 45 | 96.5% |
| 50 | 93% |
| 55 | 90% |
| 60 | 86.5% |
| 70 | 79% |

| Altitude Above Sea Level In Metres | % Nominal Power Rating |
|------------------------------------|------------------------|
| 1000 m | 100% |
| 1500 m | 97% |
| 2000 m | 94.5% |
| 2500 m | 92% |
| 3000 m | 89% |
| 4000 m | 83.5% |

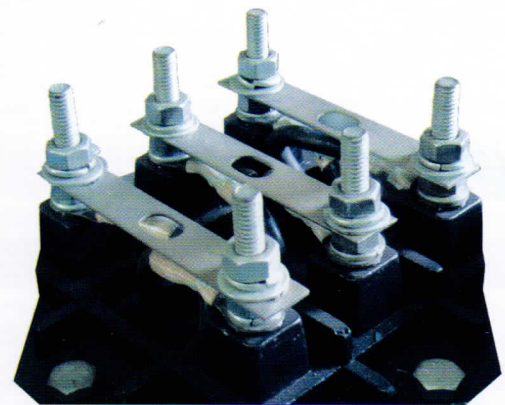
Terminal Box Ontop

The terminal box is located on the top of the motor ; the degree of protection by enclosure is IP 55. Higher protection is available on request.

The terminal box is turnable, thus allowing cable entry from either side of the motor which makes the connection more flexible.

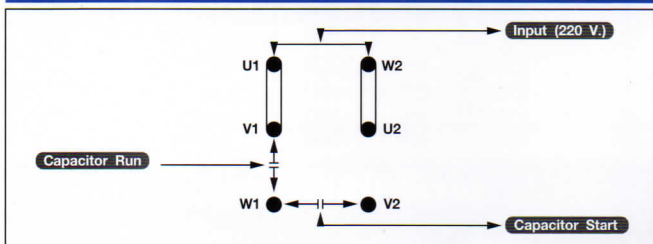
Terminal box is equipped with cable glands or cable boxes. Cables can be connected by cable lugs to the terminals. Termination parts are suitable for Cu-and Al-cables. Cable lugs not included in the delivery.

To enable us supply suitable terminations for the motor please state cable type, quantity and size when ordering.



Clock wise Direction : (CW)

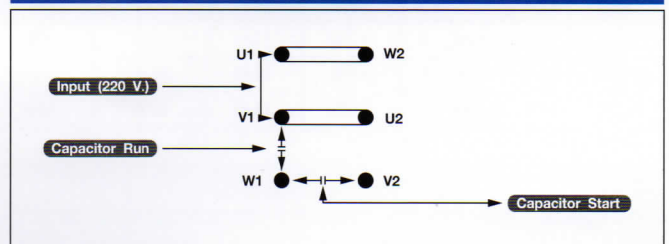
Terminal Box



- CAPACITOR START ➔ W1 & V2
- CAPACITOR RUN ➔ V1 & W1
- INPUT 220 V. 1 Phase ➔ U1 & W2

Counter Clock wise Direction : (CCW)

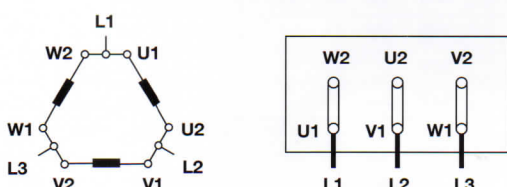
Terminal Box



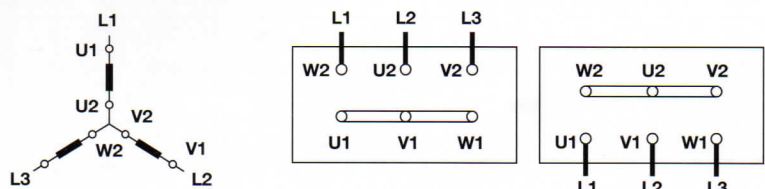
- CAPACITOR START ➔ W1 & V2
- CAPACITOR RUN ➔ V1 & W1
- INPUT 220 V. 1 Phase ➔ U1 & V1

Connection Of Three-phase Motors

△ -connection



Y-connection



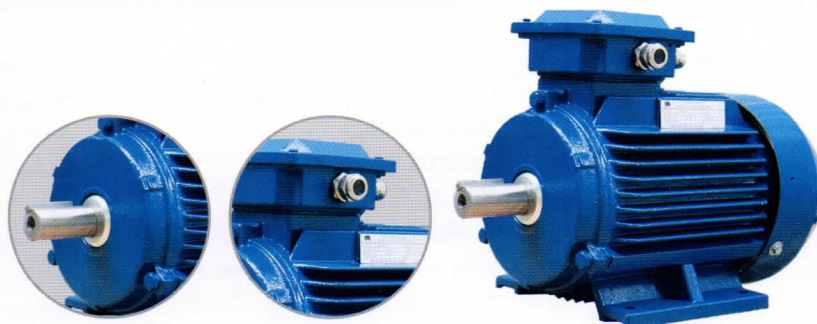
Induction Motors

QY2 SERIES

Size : 80-160, 0.75-7.5 KW.
3 Phase 220/380V.,380/660V.50Hz

Cast iron frame.

Totally enclosed squirrel cage motor
Insulation class F,
Temperature rise class B, IP55
IEC Standard



Technical Data QY2 Series

2 POLE

| OUTPUT HP/KW | TYPE DESIGNATION | FRAME SIZE | SPEED r/min | EFFICIENCY % | POWER FACTOR Cos. ϕ | CURRENT | | TORQUE | | | dB (A) | Weight (Kg) |
|-----------------|---------------------|---------------|----------------|-----------------|--------------------------------|--------------|-------------------|----------------|-------------------|-----------------------|--------|----------------|
| | | | | | | I_N (A) | $\frac{I_S}{I_N}$ | T_N (N.m) | $\frac{T_S}{T_N}$ | $\frac{T_{max}}{T_N}$ | | |
| 1/0.75 | QY2 - 801 - 2 | 80 | 2840 | 75.0 | 0.83 | 1.8 | 6.1 | 2.5 | 2.2 | 2.3 | 67 | 16.5 |
| 1.5/1.1 | QY2 - 802 - 2 | 80 | 2840 | 77.0 | 0.84 | 2.6 | 7.0 | 3.7 | 2.2 | 2.3 | 67 | 17.5 |
| 2/1.5 | QY2 - 90S - 2 | 90S | 2850 | 79.0 | 0.84 | 3.4 | 7.0 | 5 | 2.2 | 2.3 | 72 | 21 |
| 3/2.2 | QY2 - 90L - 2 | 90L | 2850 | 81.0 | 0.85 | 4.8 | 7.0 | 7.4 | 2.2 | 2.3 | 72 | 25 |
| 4/3 | QY2 - 100L - 2 | 100L | 2880 | 83.0 | 0.87 | 6.3 | 7.5 | 10 | 2.2 | 2.3 | 76 | 33 |
| 5.5/4 | QY2 - 112M - 2 | 112M | 2880 | 85.0 | 0.88 | 8.2 | 7.5 | 13.3 | 2.2 | 2.3 | 77 | 41 |
| 7.5/5.5 | QY2 - 132S1 - 2 | 132S | 2900 | 86.0 | 0.88 | 11.1 | 7.5 | 18.1 | 2.2 | 2.3 | 80 | 63 |
| 10/7.5 | QY2 - 132S2 - 2 | 132S | 2900 | 87.0 | 0.88 | 14.9 | 7.5 | 24.5 | 2.2 | 2.3 | 80 | 70 |

Technical Data QY2 Series

4 POLE

| OUTPUT HP/KW | TYPE DESIGNATION | FRAME SIZE | SPEED r/min | EFFICIENCY % | POWER FACTOR Cos. ϕ | CURRENT | | TORQUE | | | dB (A) | Weight (Kg) |
|-----------------|---------------------|---------------|----------------|-----------------|--------------------------------|--------------|-------------------|----------------|-------------------|-----------------------|--------|----------------|
| | | | | | | I_N (A) | $\frac{I_S}{I_N}$ | T_N (N.m) | $\frac{T_S}{T_N}$ | $\frac{T_{max}}{T_N}$ | | |
| 1/0.75 | QY2 - 802 - 4 | 80 | 1390 | 73.0 | 0.76 | 2.1 | 6.0 | 5.2 | 2.4 | 2.3 | 58 | 16 |
| 1.5/1.1 | QY2 - 90S - 4 | 90S | 1400 | 75.0 | 0.77 | 2.9 | 6.0 | 7.5 | 2.3 | 2.3 | 61 | 23 |
| 2/1.5 | QY2 - 90L - 4 | 90L | 1400 | 78.0 | 0.79 | 3.8 | 6.0 | 10.2 | 2.3 | 2.3 | 61 | 25 |
| 3/2.2 | QY2 - 100L1 - 4 | 100L | 1420 | 81.0 | 0.81 | 5.1 | 7.0 | 14.8 | 2.3 | 2.3 | 64 | 33 |
| 4/3 | QY2 - 100L2 - 4 | 100L | 1420 | 82.0 | 0.82 | 6.8 | 7.0 | 20.2 | 2.3 | 2.3 | 64 | 35 |
| 5.5/4 | QY2 - 112M - 4 | 112M | 1440 | 84.0 | 0.82 | 8.8 | 7.0 | 26.5 | 2.3 | 2.3 | 65 | 41 |
| 7.5/5.5 | QY2 - 132S - 4 | 132S | 1440 | 85.0 | 0.83 | 11.7 | 7.0 | 36.5 | 2.3 | 2.3 | 71 | 65 |
| 10/7.5 | QY2 - 132M - 4 | 132M | 1440 | 87.0 | 0.84 | 15.6 | 7.0 | 49.8 | 2.3 | 2.3 | 71 | 76 |

Technical Data QY2 Series

6 POLE

| OUTPUT HP/KW | TYPE DESIGNATION | FRAME SIZE | SPEED r/min | EFFICIENCY % | POWER FACTOR Cos. ϕ | CURRENT | | TORQUE | | | dB (A) | Weight (Kg) |
|-----------------|---------------------|---------------|----------------|-----------------|--------------------------------|--------------|-------------------|----------------|-------------------|-----------------------|--------|----------------|
| | | | | | | I_N (A) | $\frac{I_S}{I_N}$ | T_N (N.m) | $\frac{T_S}{T_N}$ | $\frac{T_{max}}{T_N}$ | | |
| 1/0.75 | QY2 - 90S - 6 | 90S | 910 | 69.0 | 0.72 | 2.3 | 5.5 | 7.9 | 2.0 | 2.1 | 57 | 19 |
| 1.5/1.1 | QY2 - 90L - 6 | 90L | 910 | 72.0 | 0.73 | 3.2 | 5.5 | 11.5 | 2.0 | 2.1 | 57 | 22 |
| 2/1.5 | QY2 - 100L - 6 | 100L | 920 | 76.0 | 0.75 | 4.1 | 5.5 | 15.6 | 2.0 | 2.1 | 61 | 32 |
| 3/2.2 | QY2 - 112M - 6 | 112M | 940 | 79.0 | 0.76 | 5.6 | 6.5 | 22.4 | 2.1 | 2.1 | 65 | 41 |
| 4/3 | QY2 - 132S - 6 | 132S | 960 | 81.0 | 0.76 | 7.4 | 6.5 | 29.9 | 2.1 | 2.1 | 69 | 63 |
| 5.5/4 | QY2 - 132M1 - 6 | 132M | 960 | 82.0 | 0.76 | 9.7 | 6.5 | 39.8 | 2.1 | 2.1 | 69 | 72 |
| 7.5/5.5 | QY2 - 132M2 - 6 | 132M | 960 | 84.0 | 0.77 | 12.8 | 6.5 | 54.7 | 2.1 | 2.1 | 69 | 81 |
| 10/7.5 | QY2 - 160M - 6 | 160M | 970 | 86.0 | 0.77 | 17.1 | 6.5 | 73.9 | 2.0 | 2.1 | 73 | 118 |

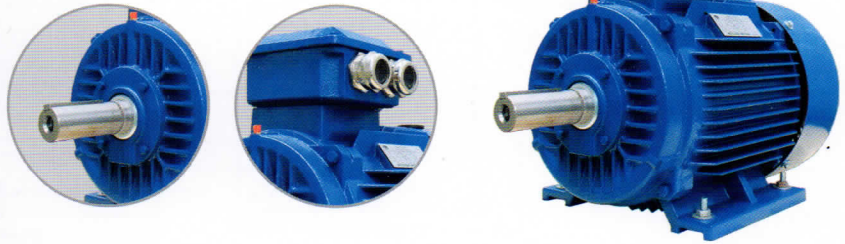
Induction Motors

QY2B SERIES

Size : 160-355, 11-315 KW.
3 Phase 380/660V.50Hz

Cast iron frame.

Insulation class F,
Temperature rise class B, IP55
IEC Standard



Technical Data QY2B Series

2 POLE

| OUTPUT HP/KW | TYPE DESIGNATION | FRAME SIZE | SPEED r/min | EFFICIENCY % | POWER FACTOR Cos. Φ | CURRENT | | TORQUE | | | dB (A) | Weight (Kg) |
|-----------------|---------------------|---------------|----------------|-----------------|--------------------------------|--------------|-------------------|----------------|-------------------|-----------------------|--------|----------------|
| | | | | | | I_N (A) | $\frac{I_s}{I_N}$ | T_N (N.m) | $\frac{T_s}{T_N}$ | $\frac{T_{max}}{T_N}$ | | |
| 15/11 | QY2B - 160M1 - 2 | 160M | 2930 | 88.0 | 0.89 | 21.1 | 7.5 | 35.8 | 2.2 | 2.3 | 86 | 110 |
| 20/15 | QY2B - 160M2 - 2 | 160M | 2930 | 89.0 | 0.89 | 28.6 | 7.5 | 48.8 | 2.2 | 2.3 | 86 | 120 |
| 25/18.5 | QY2B - 160L - 2 | 160L | 2930 | 90.0 | 0.90 | 34.6 | 7.5 | 60.4 | 2.0 | 2.3 | 86 | 135 |
| 30/22 | QY2B - 180M - 2 | 180M | 2940 | 90.5 | 0.90 | 41 | 7.5 | 71.4 | 2.0 | 2.3 | 89 | 165 |
| 40/30 | QY2B - 200L1 - 2 | 200L | 2950 | 91.2 | 0.90 | 55.4 | 7.5 | 97.2 | 2.0 | 2.3 | 92 | 218 |
| 50/37 | QY2B - 200L2 - 2 | 200L | 2950 | 92.0 | 0.90 | 67.9 | 7.5 | 119.8 | 2.0 | 2.3 | 92 | 230 |
| 60/45 | QY2B - 225M - 2 | 225M | 2970 | 92.3 | 0.90 | 82.1 | 7.5 | 144.8 | 2.0 | 2.3 | 92 | 280 |
| 75/55 | QY2B - 250M - 2 | 250M | 2970 | 92.5 | 0.90 | 99.6 | 7.5 | 177 | 2.0 | 2.3 | 93 | 365 |
| 100/75 | QY2B - 280S - 2 | 280S | 2970 | 93.2 | 0.90 | 134.8 | 7.5 | 241.3 | 2.0 | 2.3 | 94 | 495 |
| 125/90 | QY2B - 280M - 2 | 280M | 2970 | 93.8 | 0.91 | 159.5 | 7.1 | 289.5 | 2.0 | 2.3 | 94 | 565 |
| 150/110 | QY2B - 315S - 2 | 315S | 2980 | 94.0 | 0.91 | 194.6 | 7.1 | 352.7 | 1.8 | 2.2 | 96 | 890 |
| 180/132 | QY2B - 315M - 2 | 315M | 2980 | 94.5 | 0.91 | 233 | 7.1 | 423.2 | 1.8 | 2.2 | 96 | 980 |
| 220/160 | QY2B - 315L1 - 2 | 315L | 2980 | 94.6 | 0.92 | 282.1 | 7.1 | 513 | 1.8 | 2.2 | 99 | 1055 |
| 270/200 | QY2B - 315L2 - 2 | 315L | 2980 | 94.8 | 0.92 | 347.7 | 7.1 | 641.2 | 1.8 | 2.2 | 99 | 1110 |
| 340/250 | QY2B - 355M - 2 | 355M | 2980 | 95.3 | 0.92 | 432.3 | 7.1 | 801.5 | 1.8 | 2.2 | 103 | 1900 |
| 430/315 | QY2B - 355L - 2 | 355L | 2980 | 95.6 | 0.92 | 543 | 7.1 | 1010 | 1.8 | 2.2 | 103 | 2300 |

Technical Data QY2B Series

4 POLE

| OUTPUT HP/KW | TYPE DESIGNATION | FRAME SIZE | SPEED r/min | EFFICIENCY % | POWER FACTOR Cos. Φ | CURRENT | | TORQUE | | | dB (A) | Weight (Kg) |
|-----------------|---------------------|---------------|----------------|-----------------|--------------------------------|--------------|-------------------|----------------|-------------------|-----------------------|--------|----------------|
| | | | | | | I_N (A) | $\frac{I_s}{I_N}$ | T_N (N.m) | $\frac{T_s}{T_N}$ | $\frac{T_{max}}{T_N}$ | | |
| 15/11 | QY2B - 160M - 4 | 160M | 1460 | 88.0 | 0.84 | 22.5 | 7.0 | 72 | 2.2 | 2.3 | 75 | 118 |
| 20/15 | QY2B - 160L - 4 | 160L | 1460 | 89.0 | 0.85 | 30.3 | 7.5 | 98.2 | 2.2 | 2.3 | 75 | 132 |
| 25/18.5 | QY2B - 180M - 4 | 180M | 1470 | 90.1 | 0.86 | 36.2 | 7.5 | 120.2 | 2.2 | 2.3 | 76 | 164 |
| 30/22 | QY2B - 180L - 4 | 180L | 1470 | 91.0 | 0.86 | 42.9 | 7.5 | 143 | 2.2 | 2.3 | 76 | 182 |
| 40/30 | QY2B - 200L - 4 | 200L | 1470 | 92.0 | 0.86 | 57.5 | 7.2 | 195 | 2.2 | 2.3 | 79 | 245 |
| 50/37 | QY2B - 225S - 4 | 225S | 1480 | 92.1 | 0.87 | 69.7 | 7.2 | 238.9 | 2.2 | 2.3 | 81 | 258 |
| 60/45 | QY2B - 225M - 4 | 225M | 1480 | 92.6 | 0.87 | 84.5 | 7.2 | 290.5 | 2.2 | 2.3 | 81 | 290 |
| 75/55 | QY2B - 250M - 4 | 250M | 1480 | 93.0 | 0.87 | 103 | 7.2 | 355.1 | 2.2 | 2.3 | 83 | 388 |
| 100/75 | QY2B - 280S - 4 | 280S | 1480 | 93.8 | 0.87 | 138.1 | 7.2 | 483.9 | 2.2 | 2.3 | 86 | 510 |
| 125/90 | QY2B - 280M - 4 | 280M | 1480 | 94.2 | 0.87 | 165 | 7.2 | 580.7 | 2.2 | 2.3 | 86 | 606 |
| 150/110 | QY2B - 315S - 4 | 315S | 1480 | 94.5 | 0.88 | 200.5 | 6.9 | 709.8 | 2.1 | 2.2 | 93 | 910 |
| 180/132 | QY2B - 315M - 4 | 315M | 1480 | 94.8 | 0.88 | 240 | 6.9 | 851.8 | 2.1 | 2.2 | 93 | 1000 |
| 220/160 | QY2B - 315L1 - 4 | 315L | 1480 | 94.9 | 0.89 | 287 | 6.9 | 1032 | 2.1 | 2.2 | 97 | 1055 |
| 270/200 | QY2B - 315L2 - 4 | 315L | 1480 | 95.0 | 0.89 | 358 | 6.9 | 1290 | 2.1 | 2.2 | 97 | 1128 |
| 340/250 | QY2B - 355M - 4 | 355M | 1490 | 95.3 | 0.90 | 441 | 6.9 | 1603 | 2.1 | 2.2 | 101 | 1700 |
| 430/315 | QY2B - 355L - 4 | 355L | 1490 | 95.3 | 0.90 | 555 | 6.9 | 2020 | 2.1 | 2.2 | 101 | 1900 |

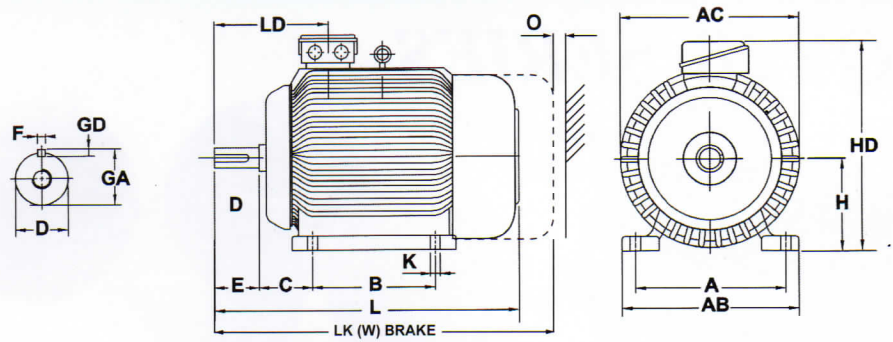
Technical Data QY2B Series

6 POLE

| OUTPUT HP/KW | TYPE DESIGNATION | FRAME SIZE | SPEED r/min | EFFICIENCY % | POWER FACTOR Cos. Φ | CURRENT | | TORQUE | | | dB (A) | Weight (Kg) |
|-----------------|---------------------|---------------|----------------|-----------------|--------------------------------|--------------|-------------------|----------------|-------------------|-----------------------|--------|----------------|
| | | | | | | I_N (A) | $\frac{I_s}{I_N}$ | T_N (N.m) | $\frac{T_s}{T_N}$ | $\frac{T_{max}}{T_N}$ | | |
| 15/11 | QY2B - 160L - 6 | 160L | 970 | 87.5 | 0.78 | 24.5 | 6.5 | 108.3 | 2.0 | 2.1 | 73 | 145 |
| 20/15 | QY2B - 180L - 6 | 180L | 970 | 89.0 | 0.81 | 31.6 | 7.0 | 147.7 | 2.1 | 2.1 | 73 | 178 |
| 25/18.5 | QY2B - 200L1 - 6 | 200L | 970 | 90.0 | 0.81 | 38.5 | 7.0 | 182.2 | 2.1 | 2.0 | 76 | 200 |
| 30/22 | QY2B - 200L2 - 6 | 200L | 970 | 90.0 | 0.83 | 44.7 | 7.0 | 216.7 | 2.1 | 2.0 | 76 | 228 |
| 40/30 | QY2B - 225M - 6 | 225M | 980 | 91.5 | 0.84 | 59.3 | 7.0 | 292.5 | 2.0 | 2.0 | 76 | 265 |
| 50/37 | QY2B - 250M - 6 | 250M | 980 | 92.0 | 0.86 | 70.1 | 7.0 | 360.7 | 2.1 | 2.1 | 78 | 370 |
| 60/45 | QY2B - 280S - 6 | 280S | 980 | 92.5 | 0.86 | 86 | 7.0 | 438.7 | 2.1 | 2.0 | 80 | 490 |
| 75/55 | QY2B - 280M - 6 | 280M | 980 | 92.8 | 0.86 | 105 | 7.0 | 536.2 | 2.1 | 2.0 | 80 | 540 |
| 100/75 | QY2B - 315S - 6 | 315S | 990 | 93.5 | 0.86 | 142 | 7.0 | 723.8 | 2.0 | 2.0 | 85 | 900 |
| 125/90 | QY2B - 315M - 6 | 315M | 990 | 93.8 | 0.86 | 170 | 6.7 | 868.6 | 2.0 | 2.0 | 85 | 980 |
| 150/110 | QY2B - 315L1 - 6 | 315L | 990 | 94.0 | 0.86 | 206 | 6.7 | 1062 | 2.0 | 2.0 | 85 | 1045 |
| 180/132 | QY2B - 315L2 - 6 | 315L | 990 | 94.2 | 0.87 | 244 | 6.7 | 1274 | 2.0 | 2.0 | 85 | 1100 |
| 220/160 | QY2B - 355M1 - 6 | 355M | 990 | 94.5 | 0.88 | 291 | 6.7 | 1544 | 1.9 | 2.0 | 92 | 1550 |
| 270/200 | QY2B - 355M2 - 6 | 355M | 990 | 94.5 | 0.88 | 362 | 6.7 | 1930 | 1.9 | 2.0 | 92 | 1600 |
| 340/250 | QY2B - 355L - 6 | 355L | 990 | 94.6 | 0.88 | 451 | 6.7 | 2413 | 1.9 | 2.0 | 92 | 1700 |

Foot-mounted

Cast iron motors with
Top-mounted terminal box
Type QY2 : 80-160M

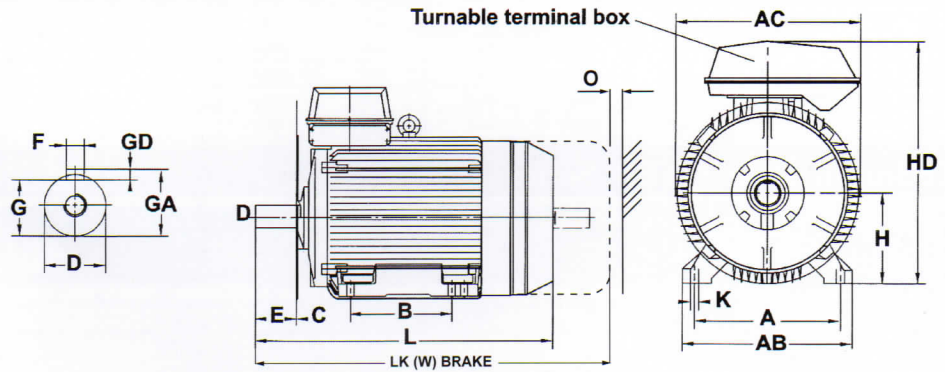


| FRAME SIZE | A | AB | AC | B | C | D | E | F | GA | GD | H | HD | K | L | LD | LK | O |
|------------|-----|-----|-----|-----|-----|----|-----|----|------|----|-----|-----|----|-----|-----|-----|----|
| 80 | 125 | 165 | 175 | 100 | 50 | 19 | 40 | 6 | 21.5 | 6 | 80 | 214 | 10 | 295 | 116 | 390 | 20 |
| 90S | 140 | 180 | 195 | 100 | 56 | 24 | 50 | 8 | 27 | 7 | 90 | 250 | 10 | 315 | 128 | 411 | 25 |
| 90L | 140 | 180 | 195 | 125 | 56 | 24 | 50 | 8 | 27 | 7 | 90 | 250 | 10 | 340 | 128 | 436 | 25 |
| 100L | 160 | 205 | 215 | 140 | 63 | 28 | 60 | 8 | 31 | 7 | 100 | 270 | 12 | 385 | 138 | 486 | 25 |
| 112M | 190 | 230 | 240 | 140 | 70 | 28 | 60 | 8 | 31 | 7 | 112 | 300 | 12 | 400 | 152 | 506 | 25 |
| 132S | 216 | 270 | 275 | 140 | 89 | 38 | 80 | 10 | 41 | 8 | 132 | 345 | 12 | 470 | 177 | 603 | 25 |
| 132M | 216 | 270 | 275 | 178 | 89 | 38 | 80 | 10 | 41 | 8 | 132 | 345 | 12 | 510 | 177 | 642 | 25 |
| 160M | 254 | 320 | 330 | 210 | 108 | 42 | 110 | 12 | 45 | 8 | 160 | 420 | 15 | 615 | 260 | 785 | 40 |

QY2B Series DIMENSIONS

Foot-mounted

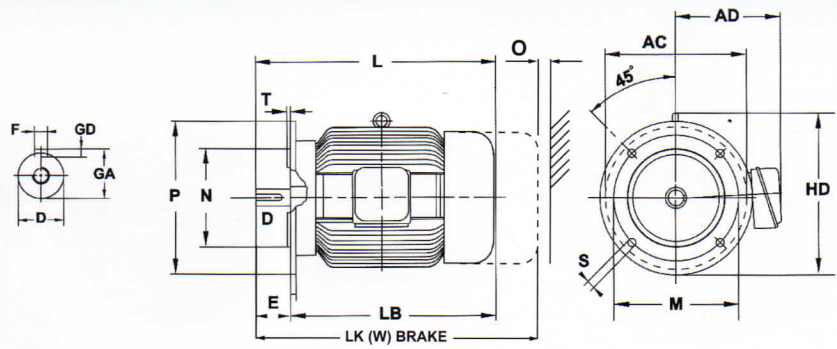
Squirrel-cage motors
Type QY2B : 160M...355L



| FRAME SIZE | POLES | A | AB | AC | B | C | D | E | F | G | GA | GD | H | HD | K | L | LK | O |
|------------|---------|-----|-----|-----|-----|-----|----|-----|----|------|------|----|-----|------|----|------|------|-----|
| 160M | 2,4,6,8 | 254 | 320 | 330 | 210 | 108 | 42 | 110 | 12 | 37 | 45 | 8 | 160 | 420 | 15 | 615 | 785 | 40 |
| 160L | 2,4,6,8 | 254 | 320 | 330 | 254 | 108 | 42 | 110 | 12 | 37 | 45 | 8 | 160 | 420 | 15 | 670 | 842 | 40 |
| 180M | 2,4,6,8 | 279 | 355 | 380 | 241 | 121 | 48 | 110 | 14 | 42.5 | 51.5 | 9 | 180 | 455 | 15 | 700 | 872 | 40 |
| 180L | 2,4,6,8 | 279 | 355 | 380 | 279 | 121 | 48 | 110 | 14 | 42.5 | 51.5 | 9 | 180 | 455 | 15 | 740 | 935 | 40 |
| 200L | 2,4,6,8 | 318 | 395 | 420 | 305 | 133 | 55 | 110 | 16 | 49 | 59 | 10 | 200 | 545 | 19 | 770 | 965 | 70 |
| 225S | 4,8 | 356 | 435 | 470 | 286 | 149 | 60 | 140 | 18 | 53 | 64 | 11 | 225 | 555 | 19 | 815 | 1047 | 80 |
| | 2 | 356 | 435 | 470 | 311 | 149 | 55 | 110 | 16 | 49 | 59 | 10 | 225 | 555 | 19 | 820 | 1052 | 80 |
| 225M | 4,6,8 | 356 | 435 | 470 | 311 | 149 | 60 | 140 | 18 | 53 | 64 | 11 | 225 | 555 | 19 | 845 | 1077 | 80 |
| | 2 | 406 | 490 | 510 | 349 | 168 | 60 | 140 | 18 | 53 | 64 | 11 | 250 | 615 | 24 | 910 | 1142 | 90 |
| 250M | 4,6,8 | 406 | 490 | 510 | 349 | 168 | 65 | 140 | 18 | 58 | 67 | 11 | 250 | 615 | 24 | 910 | 1142 | 90 |
| | 2 | 457 | 550 | 580 | 368 | 190 | 65 | 140 | 18 | 58 | 67 | 11 | 280 | 680 | 24 | 985 | - | 100 |
| 280S | 4,6,8 | 457 | 550 | 580 | 368 | 190 | 75 | 140 | 20 | 67.5 | 79.5 | 12 | 280 | 680 | 24 | 985 | - | 100 |
| | 2 | 457 | 550 | 580 | 419 | 190 | 65 | 140 | 18 | 58 | 69 | 11 | 280 | 680 | 24 | 1035 | - | 100 |
| 280M | 4,6,8 | 457 | 550 | 580 | 419 | 190 | 75 | 140 | 20 | 67.5 | 79.5 | 12 | 280 | 680 | 24 | 1035 | - | 100 |
| | 2 | 508 | 635 | 645 | 406 | 216 | 65 | 140 | 18 | 58 | 69 | 11 | 315 | 845 | 28 | 1160 | - | 115 |
| 315S | 4,6,8 | 508 | 635 | 645 | 406 | 216 | 80 | 170 | 22 | 71 | 85 | 14 | 315 | 845 | 28 | 1270 | - | 115 |
| | 2 | 508 | 635 | 645 | 457 | 216 | 65 | 140 | 18 | 58 | 69 | 11 | 315 | 845 | 28 | 1190 | - | 115 |
| 315M | 4,6,8 | 508 | 635 | 645 | 457 | 216 | 80 | 170 | 22 | 71 | 85 | 14 | 315 | 845 | 28 | 1300 | - | 115 |
| | 2 | 508 | 635 | 645 | 508 | 216 | 65 | 140 | 18 | 58 | 69 | 11 | 315 | 845 | 28 | 1190 | - | 115 |
| 315L | 4,6,8 | 508 | 635 | 645 | 508 | 216 | 80 | 170 | 22 | 71 | 85 | 14 | 315 | 845 | 28 | 1300 | - | 115 |
| | 2 | 610 | 730 | 710 | 560 | 254 | 75 | 140 | 20 | 67.5 | 79.5 | 12 | 355 | 1010 | 28 | 1500 | - | 130 |
| 355M | 4,6,8 | 610 | 730 | 710 | 560 | 254 | 95 | 170 | 25 | 86 | 102 | 16 | 355 | 1010 | 28 | 1530 | - | 130 |
| | 2 | 610 | 730 | 710 | 610 | 254 | 75 | 140 | 20 | 67.5 | 79.5 | 12 | 355 | 1010 | 28 | 1500 | - | 130 |
| 355L | 4,6,8 | 610 | 730 | 710 | 610 | 254 | 95 | 170 | 25 | 86 | 102 | 16 | 355 | 1010 | 28 | 1530 | - | 130 |

Flange-mounted

Cast iron motors
Type QY2 : 80-160M

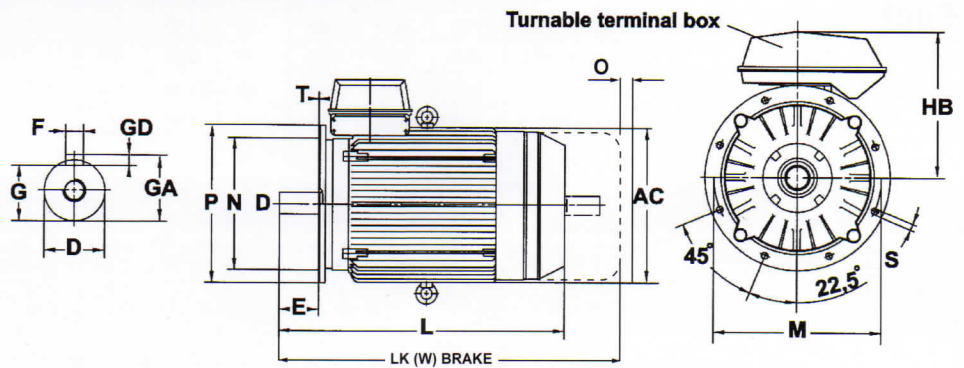


| FRAME SIZE | AC | AD | D | E | F | GA | GD | HD | L | LB | LK | M | N | O | P | S | T |
|------------|-----|-----|----|-----|----|------|----|-----|-----|-----|-----|-----|-----|----|-----|----|-----|
| 80 | 175 | 145 | 19 | 40 | 6 | 21.5 | 6 | 185 | 295 | 255 | 390 | 165 | 130 | 20 | 200 | 12 | 3.5 |
| 90S | 195 | 155 | 24 | 50 | 8 | 27 | 7 | 195 | 315 | 265 | 411 | 165 | 130 | 25 | 200 | 12 | 3.5 |
| 90L | 195 | 155 | 24 | 50 | 8 | 27 | 7 | 195 | 340 | 290 | 436 | 165 | 130 | 25 | 200 | 12 | 3.5 |
| 100L | 215 | 180 | 28 | 60 | 8 | 31 | 7 | 245 | 385 | 325 | 486 | 215 | 180 | 25 | 250 | 15 | 4 |
| 112M | 240 | 190 | 28 | 60 | 8 | 31 | 7 | 265 | 400 | 340 | 506 | 215 | 180 | 25 | 250 | 15 | 4 |
| 132S | 275 | 210 | 38 | 80 | 10 | 41 | 8 | 315 | 470 | 390 | 603 | 265 | 230 | 25 | 300 | 15 | 4 |
| 132M | 275 | 210 | 38 | 80 | 10 | 41 | 8 | 315 | 510 | 430 | 642 | 265 | 230 | 25 | 300 | 15 | 4 |
| 160M | 330 | 255 | 42 | 110 | 12 | 45 | 8 | 385 | 615 | 505 | 785 | 300 | 250 | 40 | 350 | 19 | 5 |

QY2B Series DIMENSIONS

Flange-mounted

Squirrel-cage motors
Type QY2B : 160M...355L

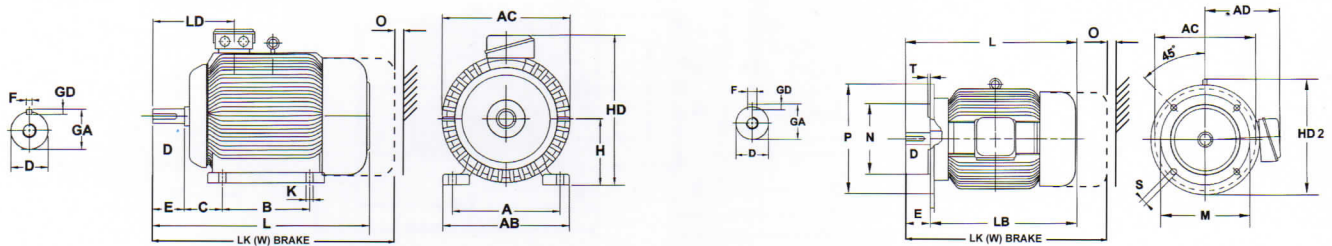


| FRAME SIZE | POLES | AC | D | E | F | G | GA | GD | HB | L | LK | M | N | P | S | T | O |
|------------|---------|-----|----|-----|----|------|------|----|-----|------|------|-----|-----|-----|----|---|-----|
| 160M | 2.4.6.8 | 330 | 42 | 110 | 12 | 37 | 45 | 8 | 255 | 615 | 785 | 300 | 250 | 350 | 19 | 5 | 40 |
| 160L | 2.4.6.8 | 330 | 42 | 110 | 12 | 37 | 45 | 8 | 255 | 670 | 842 | 300 | 250 | 350 | 19 | 5 | 40 |
| 180M | 2.4.6.8 | 380 | 48 | 110 | 14 | 42.5 | 51.5 | 9 | 280 | 700 | 872 | 300 | 250 | 350 | 19 | 5 | 40 |
| 180L | 2.4.6.8 | 380 | 48 | 110 | 14 | 42.5 | 51.5 | 9 | 280 | 740 | 935 | 300 | 250 | 350 | 19 | 5 | 40 |
| 200L | 2.4.6.8 | 420 | 55 | 110 | 16 | 49 | 59 | 10 | 305 | 770 | 965 | 350 | 300 | 400 | 19 | 5 | 70 |
| 225S | 4.8 | 470 | 60 | 140 | 18 | 53 | 64 | 11 | 335 | 815 | 1047 | 400 | 350 | 450 | 19 | 5 | 80 |
| | 2 | 470 | 55 | 110 | 16 | 49 | 59 | 10 | 335 | 820 | 1052 | 400 | 350 | 450 | 19 | 5 | 80 |
| 225M | 4.6.8 | 470 | 60 | 140 | 18 | 53 | 64 | 11 | 335 | 845 | 1077 | 400 | 350 | 450 | 19 | 5 | 80 |
| | 2 | 510 | 60 | 140 | 18 | 53 | 64 | 11 | 370 | 910 | 1142 | 500 | 450 | 550 | 19 | 5 | 90 |
| 250M | 4.6.8 | 510 | 65 | 140 | 18 | 58 | 67 | 11 | 370 | 910 | 1142 | 500 | 450 | 550 | 19 | 5 | 90 |
| | 2 | 580 | 65 | 140 | 18 | 58 | 67 | 11 | 410 | 985 | - | 500 | 450 | 550 | 19 | 5 | 100 |
| 280S | 4.6.8 | 580 | 75 | 140 | 20 | 67.5 | 79.5 | 12 | 410 | 985 | - | 500 | 450 | 550 | 19 | 5 | 100 |
| | 2 | 580 | 65 | 140 | 18 | 58 | 69 | 11 | 410 | 1035 | - | 500 | 450 | 550 | 19 | 5 | 100 |
| 280M | 4.6.8 | 580 | 75 | 140 | 20 | 67.5 | 79.5 | 12 | 410 | 1035 | - | 500 | 450 | 550 | 19 | 5 | 100 |
| | 2 | 645 | 65 | 140 | 18 | 58 | 69 | 11 | 530 | 1160 | - | 600 | 550 | 660 | 24 | 6 | 115 |
| 315S | 4.6.8 | 645 | 80 | 170 | 22 | 71 | 85 | 14 | 530 | 1270 | - | 600 | 550 | 660 | 24 | 6 | 115 |
| | 2 | 645 | 65 | 140 | 18 | 58 | 69 | 11 | 530 | 1190 | - | 600 | 550 | 660 | 24 | 6 | 115 |
| 315M | 4.6.8 | 645 | 80 | 170 | 22 | 71 | 85 | 14 | 530 | 1300 | - | 600 | 550 | 660 | 24 | 6 | 115 |
| | 2 | 645 | 65 | 140 | 18 | 58 | 69 | 11 | 530 | 1190 | - | 600 | 550 | 660 | 24 | 6 | 115 |
| 315L | 4.6.8 | 645 | 80 | 170 | 22 | 71 | 85 | 14 | 530 | 1300 | - | 600 | 550 | 660 | 24 | 6 | 115 |
| | 2 | 710 | 75 | 140 | 20 | 67.5 | 79.5 | 12 | 655 | 1500 | - | 740 | 680 | 800 | 24 | 6 | 130 |
| 355M | 4.6.8 | 710 | 95 | 170 | 25 | 86 | 102 | 16 | 655 | 1530 | - | 740 | 680 | 800 | 24 | 6 | 130 |
| | 2 | 710 | 75 | 140 | 20 | 67.5 | 79.5 | 12 | 655 | 1500 | - | 740 | 680 | 800 | 24 | 6 | 130 |
| 355L | 4.6.8 | 710 | 95 | 170 | 25 | 86 | 102 | 16 | 655 | 1530 | - | 740 | 680 | 800 | 24 | 6 | 130 |

Foot-Flange mounted

Cast iron motors

Type QY2 : 80-160M



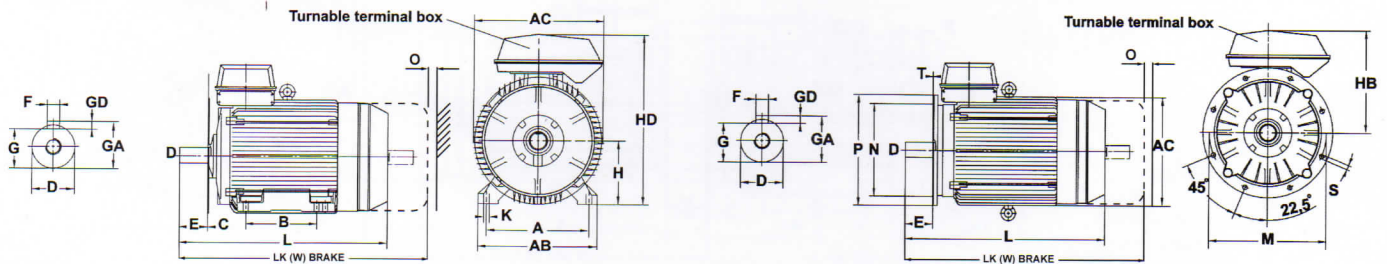
| FRAME SIZE | A | AB | AC | AD | B | C | D | E | F | GA | GD | H | HD | HD2 | K | L | LB | LD | LK | M | N | O | P | S | T |
|------------|-----|-----|-----|-----|-----|-----|----|-----|----|------|----|-----|-----|-----|----|-----|-----|-----|-----|-----|-----|----|-----|----|-----|
| 80 | 125 | 165 | 175 | 145 | 100 | 50 | 19 | 40 | 6 | 21.5 | 6 | 80 | 214 | 185 | 10 | 295 | 255 | 116 | 390 | 165 | 130 | 20 | 200 | 12 | 3.5 |
| 90S | 140 | 180 | 195 | 155 | 100 | 56 | 24 | 50 | 8 | 27 | 7 | 90 | 250 | 195 | 10 | 315 | 265 | 128 | 411 | 165 | 130 | 25 | 200 | 12 | 3.5 |
| 90L | 140 | 180 | 195 | 155 | 125 | 56 | 24 | 50 | 8 | 27 | 7 | 90 | 250 | 195 | 10 | 340 | 290 | 128 | 436 | 165 | 130 | 25 | 200 | 12 | 3.5 |
| 100L | 160 | 205 | 215 | 180 | 140 | 63 | 28 | 60 | 8 | 31 | 7 | 100 | 270 | 245 | 12 | 385 | 325 | 138 | 489 | 215 | 180 | 25 | 250 | 15 | 4 |
| 112M | 190 | 230 | 240 | 190 | 140 | 70 | 28 | 60 | 8 | 31 | 7 | 112 | 300 | 265 | 12 | 400 | 340 | 152 | 506 | 215 | 180 | 25 | 250 | 15 | 4 |
| 132S | 216 | 270 | 275 | 210 | 140 | 89 | 38 | 80 | 10 | 41 | 8 | 132 | 345 | 315 | 12 | 470 | 390 | 177 | 603 | 265 | 230 | 25 | 300 | 15 | 4 |
| 132M | 216 | 270 | 275 | 210 | 178 | 89 | 38 | 80 | 10 | 41 | 8 | 132 | 345 | 315 | 12 | 510 | 430 | 177 | 642 | 265 | 230 | 25 | 300 | 15 | 4 |
| 160M | 254 | 320 | 330 | 255 | 210 | 108 | 42 | 110 | 12 | 45 | 8 | 160 | 420 | 385 | 15 | 615 | 505 | 260 | 785 | 300 | 250 | 40 | 350 | 19 | 5 |

QY2B Series DIMENSIONS

Foot-Flange mounted

Cast iron motors

Type QY2B : 160M...355L



| FRAME SIZE | POLES | A | AB | AC | B | C | D | E | F | G | GA | GD | H | HB | HD | K | L | LK | M | N | P | S | T | O |
|------------|---------|-----|-----|-----|-----|-----|----|-----|----|------|------|----|-----|-----|------|----|------|------|-----|-----|-----|----|---|-----|
| 160M | 2,4,6,8 | 254 | 320 | 330 | 210 | 108 | 42 | 110 | 12 | 37 | 45 | 8 | 160 | 255 | 420 | 15 | 615 | 785 | 300 | 250 | 350 | 19 | 5 | 40 |
| 160L | 2,4,6,8 | 254 | 320 | 330 | 254 | 108 | 42 | 110 | 12 | 37 | 45 | 8 | 160 | 255 | 420 | 15 | 670 | 842 | 300 | 250 | 350 | 19 | 5 | 40 |
| 180M | 2,4,6,8 | 279 | 355 | 380 | 241 | 121 | 48 | 110 | 14 | 42.5 | 51.5 | 9 | 180 | 280 | 455 | 15 | 700 | 872 | 300 | 250 | 350 | 19 | 5 | 40 |
| 180L | 2,4,6,8 | 279 | 355 | 380 | 279 | 121 | 48 | 110 | 14 | 42.5 | 51.5 | 9 | 180 | 280 | 455 | 15 | 740 | 935 | 300 | 250 | 350 | 19 | 5 | 40 |
| 200L | 2,4,6,8 | 318 | 395 | 420 | 305 | 133 | 55 | 110 | 16 | 49 | 59 | 10 | 200 | 305 | 545 | 19 | 770 | 965 | 350 | 300 | 400 | 19 | 5 | 70 |
| 225S | 4,8 | 356 | 435 | 470 | 286 | 149 | 60 | 140 | 18 | 53 | 64 | 11 | 225 | 335 | 555 | 19 | 815 | 1047 | 400 | 350 | 450 | 19 | 5 | 80 |
| 225M | 2 | 356 | 435 | 470 | 311 | 149 | 55 | 110 | 16 | 49 | 59 | 10 | 225 | 335 | 555 | 19 | 820 | 1052 | 400 | 350 | 450 | 19 | 5 | 80 |
| | 4,6,8 | 356 | 435 | 470 | 311 | 149 | 60 | 140 | 18 | 53 | 64 | 11 | 225 | 335 | 555 | 19 | 845 | 1077 | 400 | 350 | 450 | 19 | 5 | 80 |
| 250M | 2 | 406 | 490 | 510 | 349 | 168 | 60 | 140 | 18 | 53 | 64 | 11 | 250 | 370 | 615 | 24 | 910 | 1142 | 500 | 450 | 550 | 19 | 5 | 90 |
| | 4,6,8 | 406 | 490 | 510 | 349 | 168 | 65 | 140 | 18 | 58 | 67 | 11 | 250 | 370 | 615 | 24 | 910 | 1142 | 500 | 450 | 550 | 19 | 5 | 90 |
| 280S | 2 | 457 | 550 | 580 | 368 | 190 | 65 | 140 | 18 | 58 | 67 | 11 | 280 | 410 | 680 | 24 | 985 | - | 500 | 450 | 550 | 19 | 5 | 100 |
| | 4,6,8 | 457 | 550 | 580 | 368 | 190 | 75 | 140 | 20 | 67.5 | 79.5 | 12 | 280 | 410 | 680 | 24 | 985 | - | 500 | 450 | 550 | 19 | 5 | 100 |
| 280M | 2 | 457 | 550 | 580 | 419 | 190 | 65 | 140 | 18 | 58 | 69 | 11 | 280 | 410 | 680 | 24 | 1035 | - | 500 | 450 | 550 | 19 | 5 | 100 |
| | 4,6,8 | 457 | 550 | 580 | 419 | 190 | 75 | 140 | 20 | 67.5 | 79.5 | 12 | 280 | 410 | 680 | 24 | 1035 | - | 500 | 450 | 550 | 19 | 5 | 100 |
| 315S | 2 | 508 | 635 | 645 | 406 | 216 | 65 | 140 | 18 | 58 | 69 | 11 | 315 | 530 | 845 | 28 | 1160 | - | 600 | 550 | 660 | 24 | 6 | 115 |
| | 4,6,8 | 508 | 635 | 645 | 406 | 216 | 80 | 170 | 22 | 71 | 85 | 14 | 315 | 530 | 845 | 28 | 1270 | - | 600 | 550 | 660 | 24 | 6 | 115 |
| 315M | 2 | 508 | 635 | 645 | 457 | 216 | 65 | 140 | 18 | 58 | 69 | 11 | 315 | 530 | 845 | 28 | 1190 | - | 600 | 550 | 660 | 24 | 6 | 115 |
| | 4,6,8 | 508 | 635 | 645 | 457 | 216 | 80 | 170 | 22 | 71 | 85 | 14 | 315 | 530 | 845 | 28 | 1300 | - | 600 | 550 | 660 | 24 | 6 | 115 |
| 315L | 2 | 508 | 635 | 645 | 508 | 216 | 65 | 140 | 18 | 58 | 69 | 11 | 315 | 530 | 845 | 28 | 1190 | - | 600 | 550 | 660 | 24 | 6 | 115 |
| | 4,6,8 | 508 | 635 | 645 | 508 | 216 | 80 | 170 | 22 | 71 | 85 | 14 | 315 | 530 | 845 | 28 | 1300 | - | 600 | 550 | 660 | 24 | 6 | 115 |
| 355M | 2 | 610 | 730 | 710 | 560 | 254 | 75 | 140 | 20 | 67.5 | 79.5 | 12 | 355 | 655 | 1010 | 28 | 1500 | - | 740 | 680 | 800 | 24 | 6 | 130 |
| | 4,6,8 | 610 | 730 | 710 | 560 | 254 | 95 | 170 | 25 | 86 | 102 | 16 | 355 | 655 | 1010 | 28 | 1530 | - | 740 | 680 | 800 | 24 | 6 | 130 |
| 355L | 2 | 610 | 730 | 710 | 610 | 254 | 75 | 140 | 20 | 67.5 | 79.5 | 12 | 355 | 655 | 1010 | 28 | 1500 | - | 740 | 680 | 800 | 24 | 6 | 130 |
| | 4,6,8 | 610 | 730 | 710 | 610 | 254 | 95 | 170 | 25 | 86 | 102 | 16 | 355 | 655 | 1010 | 28 | 1530 | - | 740 | 680 | 800 | 24 | 6 | 130 |

Induction Motors

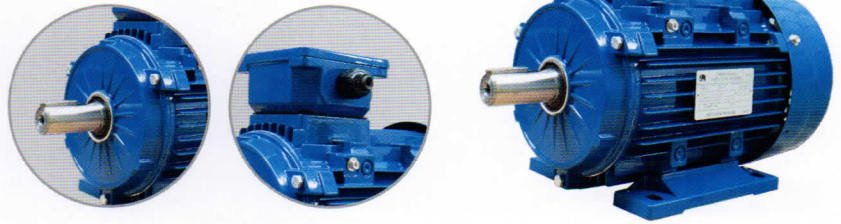
AL SERIES

Size : 63-132, 0.25-7.5 KW.
3 Phase 220/380V.,380/660V.50Hz

Aluminium frame.

Insulation class F, IP55

IEC Standard



Technical Data AL Series

2 POLE

| TYPE | OUTPUT HP | OUTPUT KW | SPEED r/min | IFL 380V (AMPS) | IFL 400V (AMPS) | IFL 415V (AMPS) | EFFICIENCY | | | POWER FACTOR | | | T _N (N.m) | I _s /I _N | T _s /T _N | T _{max} /T _N | NOISE LEVEL dib(A) | Weight (Kg) |
|-----------|-----------|-----------|-------------|-----------------|-----------------|-----------------|------------|--------|--------|--------------|--------|--------|----------------------|--------------------------------|--------------------------------|----------------------------------|--------------------|-------------|
| | | | | | | | 100% FL | 75% FL | 50% FL | 100% FL | 75% FL | 50% FL | | | | | | |
| AL631-2 | 0.25 | 0.18 | 2710 | 0.5 | 0.5 | 0.5 | 66.0 | 64.0 | 60.0 | 0.80 | 0.73 | 0.66 | 0.61 | 5.5 | 2.2 | 2.3 | 61 | 4.5 |
| AL632-2 | 0.37 | 0.25 | 2710 | 0.7 | 0.6 | 0.6 | 69.0 | 68.5 | 66.0 | 0.81 | 0.74 | 0.67 | 0.96 | 5.5 | 2.2 | 2.3 | 61 | 4.7 |
| AL711-2 | 0.5 | 0.37 | 2730 | 1.0 | 0.9 | 0.9 | 71.0 | 71.0 | 68.5 | 0.81 | 0.75 | 0.68 | 1.26 | 6.1 | 2.2 | 2.3 | 64 | 6 |
| AL712-2 | 0.75 | 0.55 | 2760 | 1.4 | 1.3 | 1.3 | 74.0 | 73.0 | 69.5 | 0.82 | 0.76 | 0.69 | 1.88 | 6.1 | 2.2 | 2.3 | 64 | 6.3 |
| AL801-2 | 1 | 0.75 | 2770 | 1.8 | 1.7 | 1.6 | 76.0 | 75.0 | 70.0 | 0.83 | 0.79 | 0.70 | 2.54 | 6.1 | 2.2 | 2.3 | 67 | 10 |
| AL802-2 | 1.5 | 1.1 | 2770 | 2.5 | 2.4 | 2.3 | 78.0 | 77.6 | 75.5 | 0.84 | 0.79 | 0.70 | 3.72 | 7.0 | 2.2 | 2.3 | 67 | 11 |
| AL90S-2 | 2 | 1.5 | 2840 | 3.4 | 3.2 | 3.1 | 79.2 | 79.0 | 77.0 | 0.84 | 0.80 | 0.72 | 5.04 | 7.0 | 2.2 | 2.3 | 72 | 13 |
| AL90L-2 | 3 | 2.2 | 2840 | 4.8 | 4.6 | 4.4 | 81.5 | 82.0 | 80.0 | 0.85 | 0.81 | 0.72 | 7.40 | 7.0 | 2.2 | 2.3 | 72 | 14 |
| AL100L-2 | 4 | 3 | 2840 | 6.2 | 5.9 | 5.7 | 83.5 | 83.5 | 82.5 | 0.88 | 0.84 | 0.74 | 9.95 | 7.5 | 2.2 | 2.3 | 76 | 25 |
| AL112M-2 | 5.5 | 4 | 2880 | 8.1 | 7.7 | 7.4 | 85.5 | 85.1 | 84.4 | 0.88 | 0.84 | 0.76 | 13.22 | 7.5 | 2.2 | 2.3 | 77 | 28 |
| AL132S1-2 | 7.5 | 5.5 | 2900 | 10.8 | 10.3 | 9.9 | 86.5 | 86.0 | 83.6 | 0.89 | 0.85 | 0.78 | 18.11 | 7.5 | 2.2 | 2.3 | 80 | 40 |
| AL132S2-2 | 10 | 7.5 | 2920 | 14.7 | 14.0 | 13.5 | 87.1 | 86.5 | 84.3 | 0.89 | 0.85 | 0.78 | 24.70 | 7.5 | 2.2 | 2.3 | 80 | 45 |

Technical Data AL Series

4 POLE

| TYPE | OUTPUT HP | OUTPUT KW | SPEED r/min | IFL 380V (AMPS) | IFL 400V (AMPS) | IFL 415V (AMPS) | EFFICIENCY | | | POWER FACTOR | | | T _N (N.m) | I _s /I _N | T _s /T _N | T _{max} /T _N | NOISE LEVEL dib(A) | Weight (Kg) |
|-----------|-----------|-----------|-------------|-----------------|-----------------|-----------------|------------|--------|--------|--------------|--------|--------|----------------------|--------------------------------|--------------------------------|----------------------------------|--------------------|-------------|
| | | | | | | | 100% FL | 75% FL | 50% FL | 100% FL | 75% FL | 50% FL | | | | | | |
| AL632-4 | 0.25 | 0.18 | 1350 | 0.6 | 0.6 | 0.5 | 62.0 | 61.6 | 57.5 | 0.73 | 0.65 | 0.57 | 1.26 | 4.4 | 2.1 | 2.2 | 52 | 4.7 |
| AL711-4 | 0.37 | 0.25 | 1350 | 0.8 | 0.7 | 0.7 | 67.3 | 66.5 | 60.1 | 0.74 | 0.65 | 0.58 | 1.73 | 5.2 | 2.1 | 2.2 | 55 | 6 |
| AL712-4 | 0.5 | 0.37 | 1370 | 1.1 | 1.0 | 1.0 | 70.0 | 69.0 | 62.0 | 0.75 | 0.67 | 0.60 | 2.56 | 5.2 | 2.1 | 2.2 | 55 | 6.3 |
| AL801-4 | 0.75 | 0.55 | 1370 | 1.5 | 1.5 | 1.4 | 71.8 | 72.1 | 69.2 | 0.75 | 0.68 | 0.61 | 3.75 | 5.2 | 2.3 | 2.3 | 58 | 10 |
| AL802-4 | 1 | 0.75 | 1380 | 2.0 | 1.9 | 1.8 | 73.5 | 73.5 | 69.7 | 0.77 | 0.68 | 0.62 | 5.11 | 6.0 | 2.3 | 2.3 | 58 | 11 |
| AL90S-4 | 1.5 | 1.1 | 1400 | 2.8 | 2.7 | 2.6 | 76.5 | 77.1 | 75.6 | 0.78 | 0.70 | 0.62 | 7.50 | 6.0 | 2.3 | 2.3 | 61 | 13 |
| AL90L-4 | 2 | 1.5 | 1400 | 3.7 | 3.5 | 3.4 | 78.6 | 79.2 | 78.8 | 0.79 | 0.71 | 0.64 | 10.23 | 6.0 | 2.3 | 2.3 | 61 | 14 |
| AL100L1-4 | 3 | 2.2 | 1420 | 5.0 | 4.7 | 4.5 | 82.0 | 81.6 | 80.2 | 0.82 | 0.74 | 0.66 | 14.80 | 7.0 | 2.3 | 2.3 | 64 | 23 |
| AL100L2-4 | 4 | 3 | 1420 | 6.6 | 6.3 | 6.1 | 83.0 | 83.6 | 83.4 | 0.83 | 0.76 | 0.66 | 20.18 | 7.0 | 2.3 | 2.3 | 64 | 25 |
| AL112M-4 | 5.5 | 4 | 1430 | 8.6 | 8.2 | 7.9 | 85.1 | 84.9 | 83.4 | 0.83 | 0.77 | 0.66 | 26.53 | 7.0 | 2.3 | 2.3 | 65 | 28 |
| AL132S-4 | 7.5 | 5.5 | 1450 | 11.5 | 10.9 | 10.5 | 86.6 | 86.1 | 85.5 | 0.84 | 0.79 | 0.71 | 36.48 | 7.0 | 2.3 | 2.3 | 71 | 45 |
| AL132M-4 | 10 | 7.5 | 1450 | 15.3 | 14.5 | 14.0 | 87.6 | 87.6 | 87.1 | 0.85 | 0.81 | 0.71 | 49.74 | 7.0 | 2.3 | 2.3 | 71 | 55 |

Technical Data AL Series

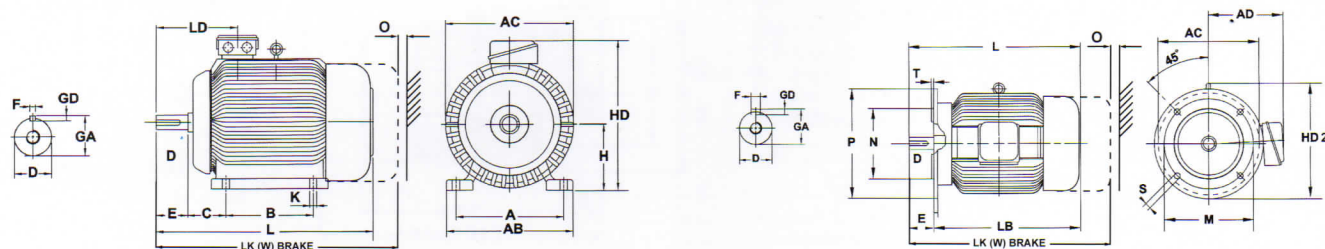
6 POLE

| TYPE | OUTPUT HP | OUTPUT KW | SPEED r/min | IFL 380V (AMPS) | IFL 400V (AMPS) | IFL 415V (AMPS) | EFFICIENCY | | | POWER FACTOR | | | T _N (N.m) | I _s /I _N | T _s /T _N | T _{max} /T _N | NOISE LEVEL dib(A) | Weight (Kg) |
|-----------|-----------|-----------|-------------|-----------------|-----------------|-----------------|------------|--------|--------|--------------|--------|--------|----------------------|--------------------------------|--------------------------------|----------------------------------|--------------------|-------------|
| | | | | | | | 100% FL | 75% FL | 50% FL | 100% FL | 75% FL | 50% FL | | | | | | |
| AL711-6 | 0.25 | 0.18 | 880 | 0.7 | 0.7 | 0.7 | 57.0 | 57.0 | 53.1 | 0.66 | 0.60 | 0.52 | 1.91 | 4.0 | 1.9 | 2.0 | 52 | 6 |
| AL712-6 | 0.37 | 0.25 | 900 | 0.9 | 0.9 | 0.8 | 60.0 | 59.9 | 55.2 | 0.68 | 0.60 | 0.53 | 2.65 | 4.0 | 1.9 | 2.0 | 52 | 6.3 |
| AL801-6 | 0.5 | 0.37 | 900 | 1.3 | 1.2 | 1.2 | 63.0 | 63.0 | 55.0 | 0.70 | 0.62 | 0.53 | 3.93 | 4.7 | 1.9 | 2.0 | 54 | 10 |
| AL802-6 | 0.75 | 0.55 | 900 | 1.8 | 1.7 | 1.6 | 66.0 | 66.5 | 64.2 | 0.72 | 0.62 | 0.53 | 5.84 | 4.7 | 1.9 | 2.1 | 54 | 11 |
| AL90S-6 | 1 | 0.75 | 920 | 2.3 | 2.1 | 2.1 | 70.0 | 70.5 | 65.0 | 0.72 | 0.62 | 0.53 | 7.87 | 5.5 | 2.0 | 2.1 | 57 | 13 |
| AL90L-6 | 1.5 | 1.1 | 925 | 3.1 | 3.0 | 2.9 | 73.3 | 74.0 | 70.5 | 0.73 | 0.64 | 0.53 | 11.54 | 5.5 | 2.0 | 2.1 | 57 | 14 |
| AL100L-6 | 2 | 1.5 | 945 | 3.9 | 3.7 | 3.5 | 77.5 | 77.0 | 75.1 | 0.76 | 0.69 | 0.57 | 15.24 | 5.5 | 2.0 | 2.1 | 61 | 23 |
| AL112M-6 | 3 | 2.2 | 955 | 5.5 | 5.2 | 5.0 | 80.0 | 79.5 | 77.7 | 0.76 | 0.71 | 0.59 | 22.35 | 6.5 | 2.1 | 2.1 | 65 | 25 |
| AL132S-6 | 4 | 3 | 960 | 7.2 | 6.8 | 6.6 | 82.1 | 82.0 | 78.0 | 0.77 | 0.72 | 0.59 | 29.84 | 6.5 | 2.1 | 2.1 | 69 | 28 |
| AL132M1-6 | 5.5 | 4 | 960 | 9.5 | 9.0 | 8.7 | 83.0 | 82.8 | 80.6 | 0.77 | 0.72 | 0.62 | 39.79 | 6.5 | 2.1 | 2.1 | 69 | 45 |

Foot-Flange mounted

Cast iron motors

Type QY2 : 80-160M



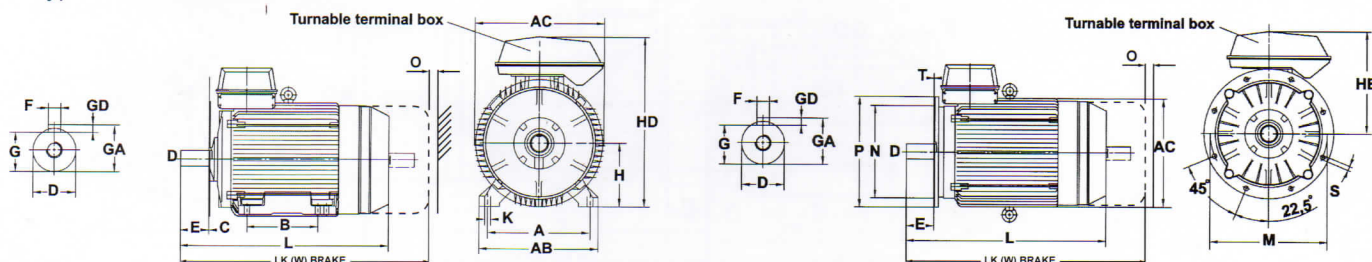
| FRAME SIZE | A | AB | AC | AD | B | C | D | E | F | GA | GD | H | HD | HD2 | K | L | LB | LD | LK | M | N | O | P | S | T |
|------------|-----|-----|-----|-----|-----|-----|----|-----|----|------|----|-----|-----|-----|----|-----|-----|-----|-----|-----|-----|----|-----|----|-----|
| 80 | 125 | 165 | 175 | 145 | 100 | 50 | 19 | 40 | 6 | 21.5 | 6 | 80 | 214 | 185 | 10 | 295 | 255 | 116 | 390 | 165 | 130 | 20 | 200 | 12 | 3.5 |
| 90S | 140 | 180 | 195 | 155 | 100 | 56 | 24 | 50 | 8 | 27 | 7 | 90 | 250 | 195 | 10 | 315 | 265 | 128 | 411 | 165 | 130 | 25 | 200 | 12 | 3.5 |
| 90L | 140 | 180 | 195 | 155 | 125 | 56 | 24 | 50 | 8 | 27 | 7 | 90 | 250 | 195 | 10 | 340 | 290 | 128 | 436 | 165 | 130 | 25 | 200 | 12 | 3.5 |
| 100L | 160 | 205 | 215 | 180 | 140 | 63 | 28 | 60 | 8 | 31 | 7 | 100 | 270 | 245 | 12 | 385 | 325 | 138 | 489 | 215 | 180 | 25 | 250 | 15 | 4 |
| 112M | 190 | 230 | 240 | 190 | 140 | 70 | 28 | 60 | 8 | 31 | 7 | 112 | 300 | 265 | 12 | 400 | 340 | 152 | 506 | 215 | 180 | 25 | 250 | 15 | 4 |
| 132S | 216 | 270 | 275 | 210 | 140 | 89 | 38 | 80 | 10 | 41 | 8 | 132 | 345 | 315 | 12 | 470 | 390 | 177 | 603 | 265 | 230 | 25 | 300 | 15 | 4 |
| 132M | 216 | 270 | 275 | 210 | 178 | 89 | 38 | 80 | 10 | 41 | 8 | 132 | 345 | 315 | 12 | 510 | 430 | 177 | 642 | 265 | 230 | 25 | 300 | 15 | 4 |
| 160M | 254 | 320 | 330 | 255 | 210 | 108 | 42 | 110 | 12 | 45 | 8 | 160 | 420 | 385 | 15 | 615 | 505 | 260 | 785 | 300 | 250 | 40 | 350 | 19 | 5 |

QY2B Series DIMENSIONS

Foot-Flange mounted

Cast iron motors

Type QY2B : 160M...355L

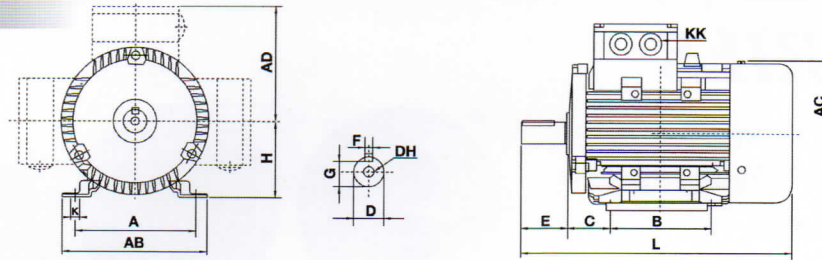


| FRAME SIZE | POLES | A | AB | AC | B | C | D | E | F | G | GA | GD | H | HB | HD | K | L | LK | M | N | P | S | T | O |
|------------|---------|-----|-----|-----|-----|-----|----|-----|----|------|------|----|-----|-----|------|----|------|------|-----|-----|-----|----|---|-----|
| 160M | 2,4,6,8 | 254 | 320 | 330 | 210 | 108 | 42 | 110 | 12 | 37 | 45 | 8 | 160 | 255 | 420 | 15 | 615 | 785 | 300 | 250 | 350 | 19 | 5 | 40 |
| 160L | 2,4,6,8 | 254 | 320 | 330 | 254 | 108 | 42 | 110 | 12 | 37 | 45 | 8 | 160 | 255 | 420 | 15 | 670 | 842 | 300 | 250 | 350 | 19 | 5 | 40 |
| 180M | 2,4,6,8 | 279 | 355 | 380 | 241 | 121 | 48 | 110 | 14 | 42.5 | 51.5 | 9 | 180 | 280 | 455 | 15 | 700 | 872 | 300 | 250 | 350 | 19 | 5 | 40 |
| 180L | 2,4,6,8 | 279 | 355 | 380 | 279 | 121 | 48 | 110 | 14 | 42.5 | 51.5 | 9 | 180 | 280 | 455 | 15 | 740 | 935 | 300 | 250 | 350 | 19 | 5 | 40 |
| 200L | 2,4,6,8 | 318 | 395 | 420 | 305 | 133 | 55 | 110 | 16 | 49 | 59 | 10 | 200 | 305 | 545 | 19 | 770 | 965 | 350 | 300 | 400 | 19 | 5 | 70 |
| 225S | 4,8 | 356 | 435 | 470 | 286 | 149 | 60 | 140 | 18 | 53 | 64 | 11 | 225 | 335 | 555 | 19 | 815 | 1047 | 400 | 350 | 450 | 19 | 5 | 80 |
| 225M | 2 | 356 | 435 | 470 | 311 | 149 | 55 | 110 | 16 | 49 | 59 | 10 | 225 | 335 | 555 | 19 | 820 | 1052 | 400 | 350 | 450 | 19 | 5 | 80 |
| | 4,6,8 | 356 | 435 | 470 | 311 | 149 | 60 | 140 | 18 | 53 | 64 | 11 | 225 | 335 | 555 | 19 | 845 | 1077 | 400 | 350 | 450 | 19 | 5 | 80 |
| 250M | 2 | 406 | 490 | 510 | 349 | 168 | 60 | 140 | 18 | 53 | 64 | 11 | 250 | 370 | 615 | 24 | 910 | 1142 | 500 | 450 | 550 | 19 | 5 | 90 |
| | 4,6,8 | 406 | 490 | 510 | 349 | 168 | 65 | 140 | 18 | 58 | 67 | 11 | 250 | 370 | 615 | 24 | 910 | 1142 | 500 | 450 | 550 | 19 | 5 | 90 |
| 280S | 2 | 457 | 550 | 580 | 368 | 190 | 65 | 140 | 18 | 58 | 67 | 11 | 280 | 410 | 680 | 24 | 985 | - | 500 | 450 | 550 | 19 | 5 | 100 |
| | 4,6,8 | 457 | 550 | 580 | 368 | 190 | 75 | 140 | 20 | 67.5 | 79.5 | 12 | 280 | 410 | 680 | 24 | 985 | - | 500 | 450 | 550 | 19 | 5 | 100 |
| 280M | 2 | 457 | 550 | 580 | 419 | 190 | 65 | 140 | 18 | 58 | 69 | 11 | 280 | 410 | 680 | 24 | 1035 | - | 500 | 450 | 550 | 19 | 5 | 100 |
| | 4,6,8 | 457 | 550 | 580 | 419 | 190 | 75 | 140 | 20 | 67.5 | 79.5 | 12 | 280 | 410 | 680 | 24 | 1035 | - | 500 | 450 | 550 | 19 | 5 | 100 |
| 315S | 2 | 508 | 635 | 645 | 406 | 216 | 65 | 140 | 18 | 58 | 69 | 11 | 315 | 530 | 845 | 28 | 1160 | - | 600 | 550 | 660 | 24 | 6 | 115 |
| | 4,6,8 | 508 | 635 | 645 | 406 | 216 | 80 | 170 | 22 | 71 | 85 | 14 | 315 | 530 | 845 | 28 | 1270 | - | 600 | 550 | 660 | 24 | 6 | 115 |
| 315M | 2 | 508 | 635 | 645 | 457 | 216 | 65 | 140 | 18 | 58 | 69 | 11 | 315 | 530 | 845 | 28 | 1190 | - | 600 | 550 | 660 | 24 | 6 | 115 |
| | 4,6,8 | 508 | 635 | 645 | 457 | 216 | 80 | 170 | 22 | 71 | 85 | 14 | 315 | 530 | 845 | 28 | 1300 | - | 600 | 550 | 660 | 24 | 6 | 115 |
| 315L | 2 | 508 | 635 | 645 | 508 | 216 | 65 | 140 | 18 | 58 | 69 | 11 | 315 | 530 | 845 | 28 | 1190 | - | 600 | 550 | 660 | 24 | 6 | 115 |
| | 4,6,8 | 508 | 635 | 645 | 508 | 216 | 80 | 170 | 22 | 71 | 85 | 14 | 315 | 530 | 845 | 28 | 1300 | - | 600 | 550 | 660 | 24 | 6 | 115 |
| 355M | 2 | 610 | 730 | 710 | 560 | 254 | 75 | 140 | 20 | 67.5 | 79.5 | 12 | 355 | 655 | 1010 | 28 | 1500 | - | 740 | 680 | 800 | 24 | 6 | 130 |
| | 4,6,8 | 610 | 730 | 710 | 560 | 254 | 95 | 170 | 25 | 86 | 102 | 16 | 355 | 655 | 1010 | 28 | 1530 | - | 740 | 680 | 800 | 24 | 6 | 130 |
| 355L | 2 | 610 | 730 | 710 | 610 | 254 | 75 | 140 | 20 | 67.5 | 79.5 | 12 | 355 | 655 | 1010 | 28 | 1500 | - | 740 | 680 | 800 | 24 | 6 | 130 |
| | 4,6,8 | 610 | 730 | 710 | 610 | 254 | 95 | 170 | 25 | 86 | 102 | 16 | 355 | 655 | 1010 | 28 | 1530 | - | 740 | 680 | 800 | 24 | 6 | 130 |

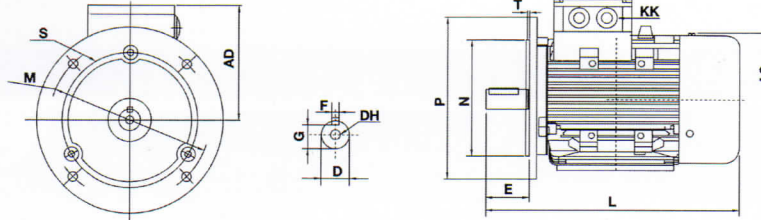
DIMENSIONS AL63-132

B3, B5, B3/B5

IM B3



IM B5, B35

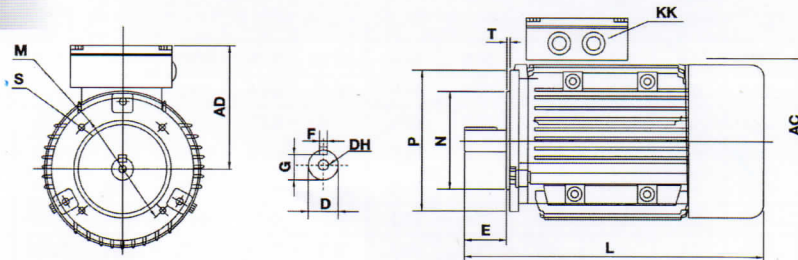


| FRAME SIZE | A | AB | AC | AD | B | C | D | DH | E | F | G | H | K | KK | L | M | N | P | S | T |
|------------|-----|-----|-----|-----|-----|----|----|--------|----|----|------|-----|----|-----------|-----|-----|-----|-----|----|-----|
| AL63 | 100 | 135 | 130 | 115 | 80 | 40 | 11 | M4x12 | 23 | 4 | 8.5 | 63 | 7 | 1-M20X1.5 | 225 | 115 | 95 | 140 | 10 | 3 |
| AL71 | 112 | 150 | 145 | 120 | 90 | 45 | 14 | M5x12 | 30 | 5 | 11 | 71 | 7 | 1-M20X1.5 | 250 | 130 | 110 | 160 | 10 | 3.5 |
| AL80 | 125 | 165 | 175 | 145 | 100 | 50 | 19 | M6x16 | 40 | 6 | 15.5 | 80 | 10 | 1-M25X1.5 | 295 | 165 | 130 | 200 | 12 | 3.5 |
| AL90S | 140 | 180 | 195 | 155 | 100 | 56 | 24 | M8x19 | 50 | 8 | 20 | 90 | 10 | 1-M25X1.5 | 315 | 165 | 130 | 200 | 12 | 3.5 |
| AL90L | 140 | 180 | 195 | 155 | 125 | 56 | 24 | M8x19 | 50 | 8 | 20 | 90 | 10 | 1-M25X1.5 | 340 | 165 | 130 | 200 | 12 | 3.5 |
| AL100L | 160 | 205 | 215 | 180 | 140 | 63 | 28 | M10x22 | 60 | 8 | 24 | 100 | 12 | 1-M32X1.5 | 385 | 215 | 180 | 250 | 15 | 4 |
| AL112M | 190 | 230 | 240 | 190 | 140 | 70 | 28 | M10x22 | 60 | 8 | 24 | 112 | 12 | 2-M32X1.5 | 400 | 215 | 180 | 250 | 15 | 4 |
| AL132S | 216 | 270 | 275 | 210 | 140 | 89 | 38 | M12x28 | 80 | 10 | 33 | 132 | 12 | 2-M32X1.5 | 470 | 265 | 230 | 300 | 15 | 4 |
| AL132M | 216 | 270 | 275 | 210 | 178 | 89 | 38 | M12x28 | 80 | 10 | 33 | 132 | 12 | 2-M32X1.5 | 510 | 265 | 230 | 300 | 15 | 4 |

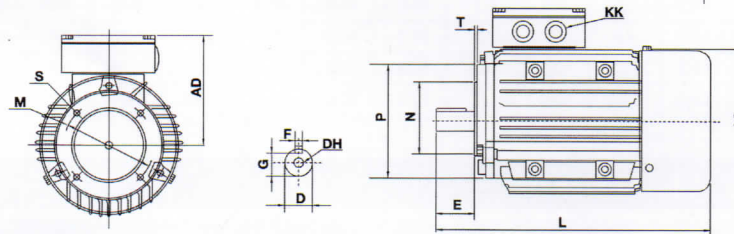
DIMENSIONS AL63-132

B14A, B14B

IM B14A



IM B14B

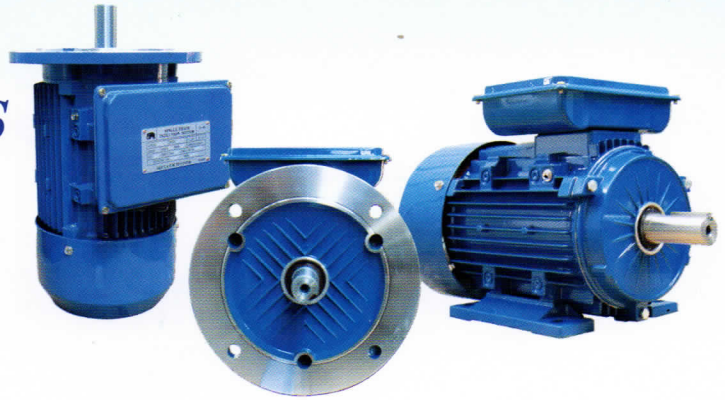


| FRAME SIZE | AC | AD | D | DH | E | F | G | KK | L | B14A | | | | | B14B | | | | |
|------------|-----|-----|----|--------|----|----|------|-----------|-----|------|-----|-----|-----|-----|------|-----|-----|-----|-----|
| | | | | | | | | | | M | N | P | S | T | M | N | P | S | T |
| AL63 | 130 | 115 | 11 | M4x12 | 23 | 4 | 8.5 | 1-M20X1.5 | 225 | 75 | 60 | 90 | M5 | 2.5 | 85 | 70 | 105 | M6 | 2.5 |
| AL71 | 145 | 120 | 14 | M5x12 | 30 | 5 | 11 | 1-M20X1.5 | 250 | 85 | 70 | 105 | M6 | 2.5 | 115 | 95 | 140 | M8 | 3 |
| AL80 | 175 | 145 | 19 | M6x16 | 40 | 6 | 15.5 | 1-M25X1.5 | 295 | 100 | 80 | 120 | M6 | 3 | 130 | 110 | 160 | M8 | 3.5 |
| AL90S | 195 | 155 | 24 | M8x19 | 50 | 8 | 20 | 1-M25X1.5 | 315 | 115 | 95 | 140 | M8 | 3 | 130 | 110 | 160 | M8 | 3.5 |
| AL90L | 195 | 155 | 24 | M8x19 | 50 | 8 | 20 | 1-M25X1.5 | 340 | 115 | 95 | 140 | M8 | 3 | 130 | 110 | 160 | M8 | 3.5 |
| AL100L | 215 | 180 | 28 | M10x22 | 60 | 8 | 24 | 1-M32X1.5 | 385 | 130 | 110 | 160 | M8 | 3.5 | 165 | 130 | 200 | M10 | 3.5 |
| AL112M | 240 | 190 | 28 | M10x22 | 60 | 8 | 24 | 2-M32X1.5 | 400 | 130 | 110 | 160 | M8 | 3.5 | 165 | 130 | 200 | M10 | 3.5 |
| AL132S | 272 | 210 | 38 | M12x28 | 80 | 10 | 33 | 2-M32X1.5 | 470 | 165 | 130 | 200 | M10 | 3.5 | 215 | 180 | 250 | M12 | 4 |
| AL132M | 272 | 210 | 38 | M12x28 | 80 | 10 | 33 | 2-M32X1.5 | 510 | 165 | 130 | 200 | M10 | 3.5 | 215 | 180 | 250 | M12 | 4 |

Induction Motors (Single-Phase) ML SERIES

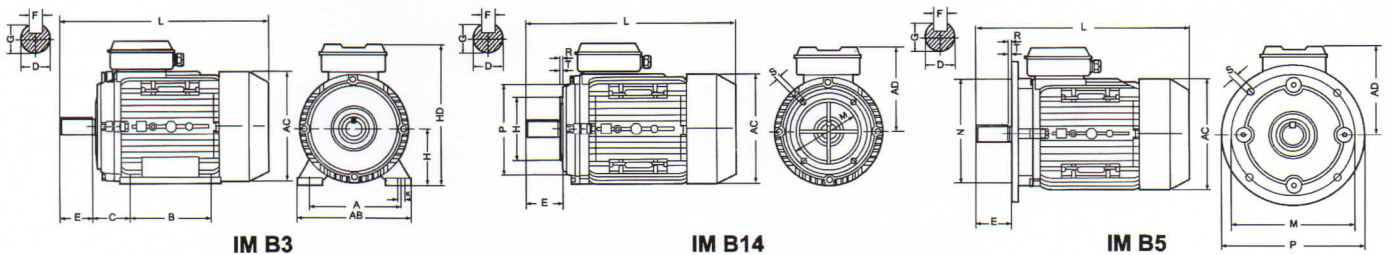
Size : 63-112, 0.18-4 KW.
1 Phase 220 V. 50 HZ.

Aluminium frame.
Insulation class F

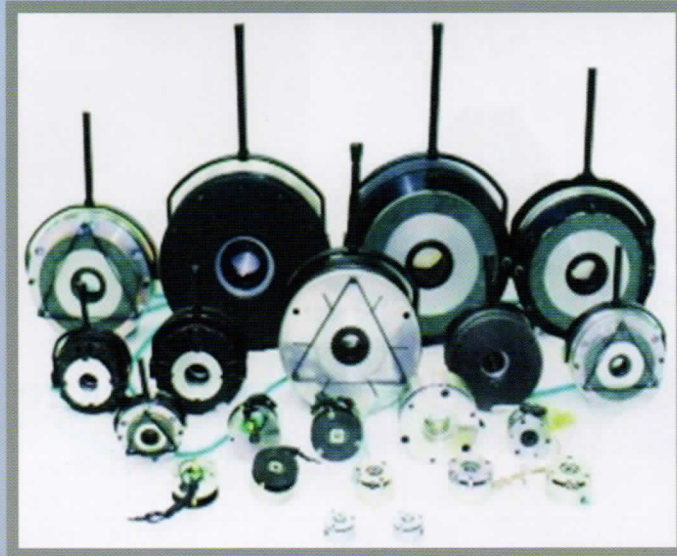


| Model | Power | | Voltage (V) | Current (A) | Speed (r.p.m.) | Eff (%) | Power Factor | Rated Torque (N.M.) | Tst / TN | Tmax / TN | Staning Current (A) | Net Weight (kg) | Capacitor Start | Capacitor Run |
|-----------|-------|------|-------------|-------------|----------------|---------|--------------|---------------------|----------|-----------|---------------------|-----------------|-----------------|---------------|
| | HP | KW | | | | | | | | | | | | |
| ML631-2 | 0.25 | 0.18 | 230 | 1.43 | 2800 | 60 | 0.92 | 0.63 | 1.8 | 1.8 | 7.5 | 5.3 | 50uf/250v | 8uf/450v |
| ML632-2 | 0.34 | 0.25 | 230 | 1.91 | 2800 | 63 | 0.92 | 0.87 | 1.8 | 1.8 | 10.8 | 5.6 | 50uf/250v | 12uf/450v |
| ML711-2 | 0.5 | 0.37 | 230 | 2.73 | 2800 | 67 | 0.92 | 1.27 | 2.3 | 1.8 | 16 | 7 | 75uf/250v | 12uf/450v |
| ML712-2 | 0.75 | 0.55 | 230 | 3.88 | 2800 | 70 | 0.92 | 1.88 | 2.3 | 1.8 | 21 | 8 | 100uf/250v | 16uf/450v |
| ML801-2 | 1 | 0.75 | 230 | 5.15 | 2800 | 72 | 0.92 | 2.59 | 2.5 | 1.8 | 30 | 8.5 | 100uf/250v | 20uf/450v |
| ML802-2 | 1.5 | 1.1 | 230 | 7.02 | 2800 | 75 | 0.95 | 3.74 | 2.5 | 1.8 | 40 | 9.5 | 150uf/250v | 25uf/450v |
| ML90S-2 | 2 | 1.5 | 230 | 9.44 | 2800 | 76 | 0.95 | 5.10 | 2.5 | 1.8 | 55 | 12.5 | 200uf/250v | 40uf/450v |
| ML90L-2 | 3 | 2.2 | 230 | 13.67 | 2800 | 77 | 0.95 | 7.48 | 2.5 | 1.8 | 80 | 14 | 250uf/250v | 50uf/450v |
| ML100L-2 | 4 | 3 | 230 | 18.2 | 2800 | 79 | 0.95 | 10.12 | 2.5 | 1.8 | 110 | 20.5 | 400uf/300v | 50uf/450v |
| ML112M-2 | 5.5 | 4 | 230 | 22.5 | 2800 | 78 | 0.95 | 12.40 | 2.5 | 1.8 | 145 | 32 | 400uf/250v | 60uf/450v |
| ML631-4 | 0.16 | 0.12 | 230 | 1.24 | 1400 | 55 | 0.90 | 0.85 | 1.8 | 1.8 | 5.7 | 5.3 | 50uf/250v | 8uf/450v |
| ML632-4 | 0.25 | 0.18 | 230 | 1.43 | 1400 | 56 | 0.90 | 1.26 | 1.8 | 1.8 | 8.64 | 6.5 | 50uf/250v | 8uf/450v |
| ML-711-4 | 0.34 | 0.25 | 230 | 1.99 | 1400 | 62 | 0.92 | 1.73 | 2.5 | 1.8 | 12 | 6.9 | 75uf/250v | 12uf/450v |
| ML-712-4 | 0.5 | 0.37 | 230 | 2.81 | 1400 | 65 | 0.92 | 2.56 | 2.5 | 1.8 | 16 | 8.2 | 75uf/250v | 16uf/450v |
| ML-801-4 | 0.75 | 0.55 | 230 | 4.0 | 1400 | 68 | 0.92 | 3.75 | 2.5 | 1.8 | 21 | 8.9 | 100uf/250v | 20uf/450v |
| ML-802-4 | 1 | 0.75 | 230 | 5.22 | 1400 | 71 | 0.92 | 5.08 | 2.5 | 1.8 | 30 | 9.6 | 100uf/250v | 25uf/450v |
| ML-90S-4 | 1.5 | 1.1 | 230 | 7.2 | 1400 | 73 | 0.95 | 7.45 | 2.5 | 1.8 | 40 | 13 | 200uf/250v | 30uf/450v |
| ML-90L-4 | 2 | 1.5 | 230 | 9.57 | 1400 | 75 | 0.95 | 10.09 | 2.5 | 1.8 | 55 | 16 | 200uf/250v | 40uf/450v |
| ML-100L-4 | 3 | 2.2 | 230 | 13.9 | 1400 | 76 | 0.95 | 14.69 | 2.5 | 1.8 | 80 | 23 | 300uf/250v | 40uf/450v |
| ML-100L-4 | 4 | 3 | 230 | 18.6 | 1400 | 77 | 0.95 | 19.90 | 2.5 | 1.8 | 110 | 27 | 400uf/250v | 50uf/450v |
| ML-112M-4 | 5.5 | 4 | 230 | 22.4 | 1400 | 79 | 0.95 | 24.54 | 2.5 | 1.8 | 145 | 35 | 400uf/250v | 60uf/450v |

DIMENSIONS ML63-112 B3, B5, B14



| FRAME SIZE | Mounting Dimensions (mm) | | | | | | | | | | | | | | | | | | | | Frame Dimensions (mm) | | | | | |
|------------|--------------------------|-----|----|----|----|---|------|-----|----|--------|-----|-----|---|----|-------|-----|-----|-----|---|----|-----------------------|-----|-----|-----|-----|-----|
| | IM B3 | | | | | | | | | IM B14 | | | | | IM B5 | | | | | | AB | AC | AD | HD | L | |
| | A | B | C | D | E | F | G | H | K | M | N | P | R | S | T | M | N | P | R | S | | | | | | T |
| 63 | 100 | 80 | 40 | 11 | 23 | 4 | 8.5 | 63 | 7 | 75 | 60 | 90 | 0 | M5 | 2.5 | 115 | 95 | 140 | 0 | 10 | 3.0 | 130 | 130 | 115 | 190 | 230 |
| 71 | 112 | 90 | 45 | 14 | 30 | 5 | 11 | 71 | 7 | 85 | 70 | 105 | 0 | M6 | 2.5 | 130 | 110 | 160 | 0 | 10 | 3.5 | 145 | 145 | 125 | 210 | 255 |
| 80 | 125 | 100 | 50 | 19 | 40 | 6 | 15.5 | 80 | 10 | 100 | 80 | 120 | 0 | M6 | 3.0 | 165 | 130 | 200 | 0 | 12 | 3.5 | 160 | 165 | 135 | 240 | 295 |
| 90S | 140 | 100 | 56 | 24 | 50 | 8 | 20 | 90 | 10 | 115 | 95 | 140 | 0 | M8 | 3.0 | 165 | 130 | 200 | 0 | 12 | 3.5 | 180 | 185 | 145 | 270 | 335 |
| 90L | 140 | 125 | 56 | 24 | 50 | 8 | 20 | 90 | 10 | 115 | 95 | 140 | 0 | M8 | 3.0 | 165 | 130 | 200 | 0 | 12 | 3.5 | 180 | 185 | 145 | 270 | 360 |
| 100L | 160 | 140 | 63 | 28 | 60 | 8 | 24 | 100 | 12 | 130 | 110 | 160 | 0 | M8 | 3.5 | 215 | 180 | 250 | 0 | 15 | 4.0 | 205 | 215 | 170 | 280 | 380 |
| 112M | 190 | 140 | 70 | 28 | 60 | 8 | 24 | 112 | 12 | 130 | 110 | 160 | 0 | M8 | 3.5 | 215 | 180 | 250 | 0 | 15 | 4.0 | 245 | 240 | 180 | 310 | 400 |



The Best of
Service

<http://www.muller.co.th>

E-mail : sales@muller.co.th

TEL. 02-812-2021 (Auto), FAX 02-812-2338