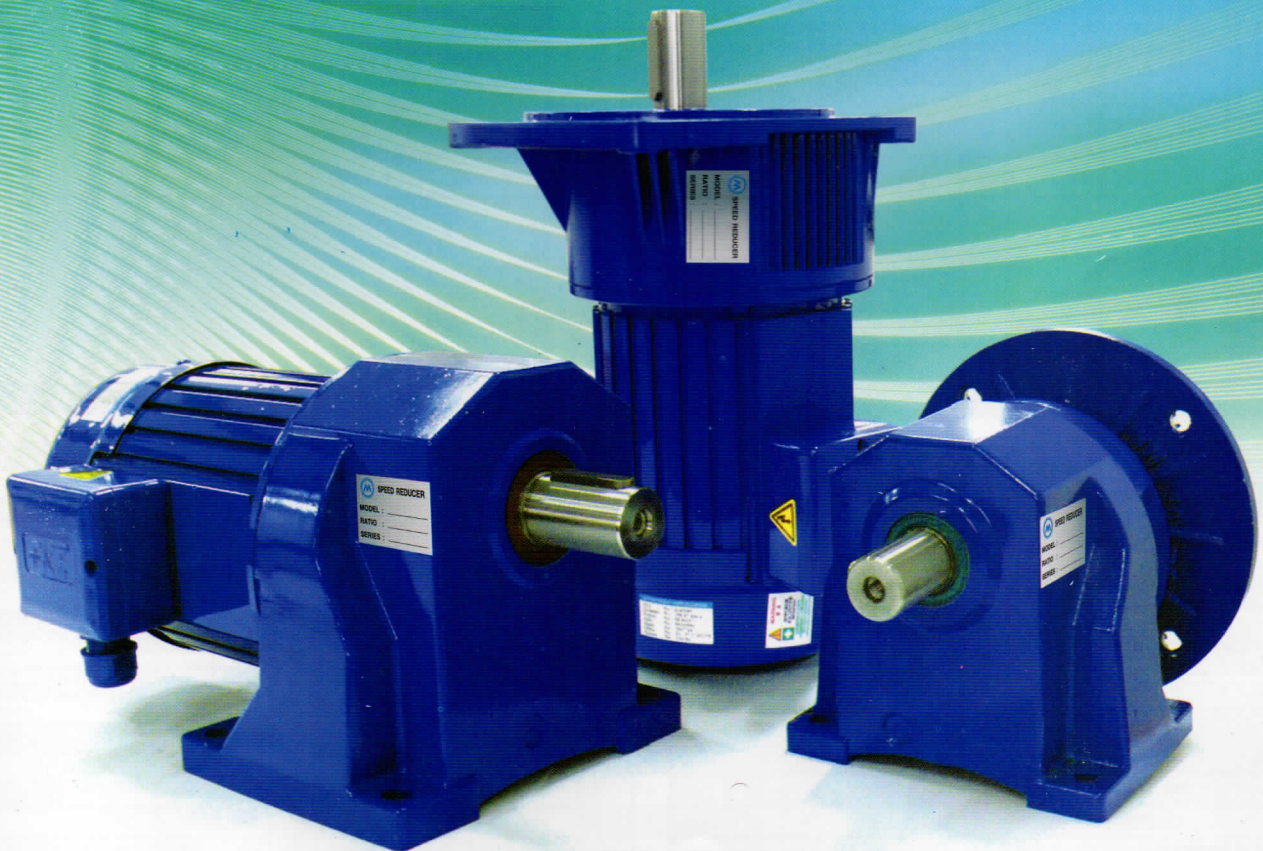




GEAR

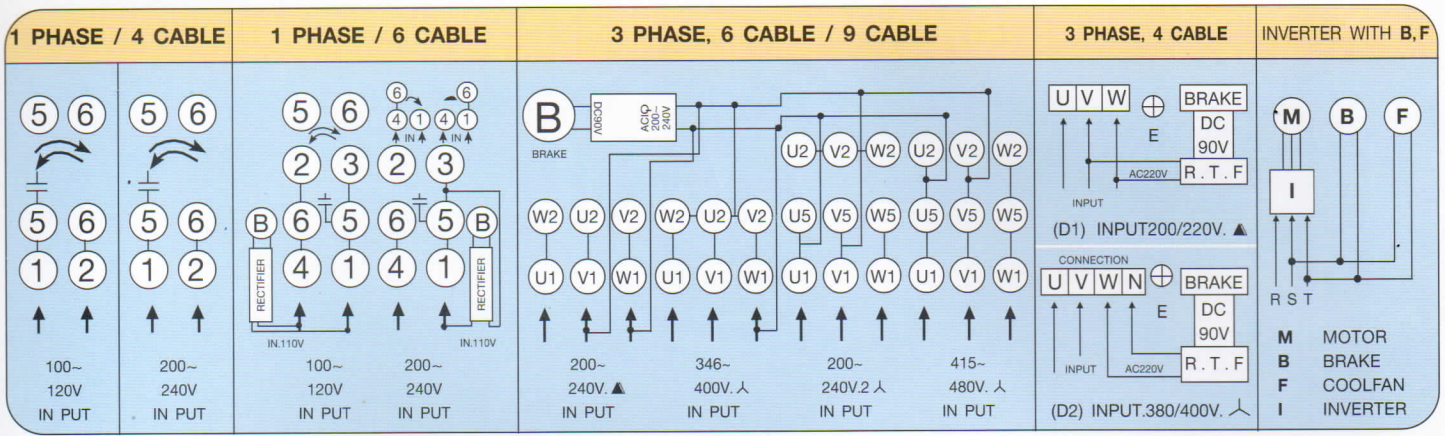
SMALL GEAR REDUCER



IT'S VERY WELL
MADE IN TAIWAN



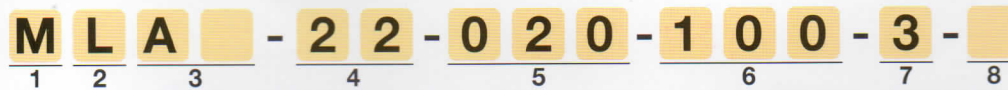
CONNECTION DIAGRAM



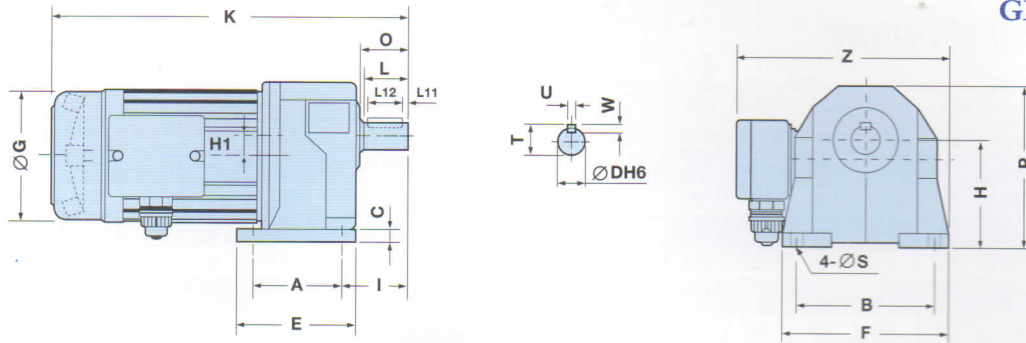
GENERAL PURPOSE TYPE / INVERTER MOTOR / BRAKE GEAR MOTOR SPECIFICATION

KW	TP	Ø	VOLT	HZ	R.P.M	AMPS	kg-m	CLASS	MOTOR	INVERTER MOTOR	WITH BRAKE					
											TYPE	HZ	Kgfm	Brake volt	Input/Output Volt	Operation Time
0.1	010	3	220/380	60/50	1650/1350	0.66/0.38	0.07/0.085	E/F	M-GEAR	C O O L T A N E N C O D E R A L . M O T O R AC 200~240V DC4.75~30V 600PPR	MK01	60/50	0.1	DC 90 V	AC 200 ~ 240 V	max 10 times / min
0.2	020		220/380	60/50	1680/1380	1.10/0.67	0.10/0.127	E/F	M-GEAR		MK02	60/50	0.2			
0.4	040		220/380	60/50	1680/1380	1.90/1.30	0.21/0.256	E/F	M-GEAR		MK04	60/50	0.4			
0.75	075		220/380	60/50	1700/1400	3.40/1.90	0.49/0.522	E/F	M-GEAR		MK08	60/50	0.8			
1.5	150		220/380	60/50	1710/1410	6.10/3.50	0.85/1.047	E/F	M-GEAR		MK25	60/50	2.5			
2.2	220		220/380	60/50	1720/1420	8.70/4.90	1.27/1.525	E/F	M-GEAR		MK25	60/50	2.5			
3.7	370		220/380	60/50	1731/1431	13.5/8.20	2.10/2.520	E/F	M-GEAR		MK50	60/50	5.0			
0.1	010	1	110/220	60/50	1650/1350	3.70/1.90	0.07/0.085	E	M-GEAR		MK01	60/50	0.1			
0.2	020		110/220	60/50	1680/1380	5.50/2.90	0.10/0.127	E	M-GEAR		MK02	60/50	0.2			
0.4	040		110/220	60/50	1680/1380	8.60/4.50	0.21/0.256	E	M-GEAR		MK04	60/50	0.4			
0.75	075		110/220	60/50	1700/1400	15.0/7.80	0.42/0.522	E	M-GEAR		MK08	60/50	0.8			
1.5	150		110/220	60/50	1710/1410	28.0/15.0	0.85/1.047	E	M-GEAR		MK25	60/50	2.5			

INDICATING THE MODEL NUMBER

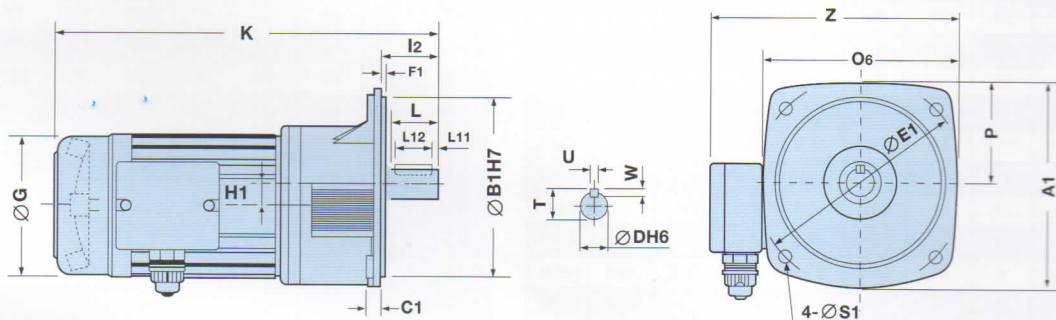


1	M	FC CASTING	2	2	OUTPUT SHAFT DIA Ø 22				
		AL CASTING		3	2	-	3	0	OUTPUT BEARING CHANGE 32 Ø TO 30 Ø
		ALUMINUM ALLOY (LOW THERMAL)		3	2	+	2	5	OUTPUT BEARING EXTEND TO 25mm
2	L	HORIZONTAL FOOT MOUNTED	5	0	2	0	0.2KW 1/4HP		
	M	VERTICAL FLANGE MOUNTED		3	7	0	3.7KW 5HP		
	G	CUSTOMERS SPEC		6	6	0	1	: 60 THE STANDARD RATIO	
3	A	INVERTER MOTOR	1		0	0	1: 100 THE STANDARD RATIO		
	B	IEC STANDARD FLANGE	7	1	1	Ø .110/220V			
	B E	DESIGNATE MOTOR B-TYPE		3	3	Ø .220/380V			
	B E K	DESIGNATE MOTOR WITH BRAKE B-TYPE		4	3	Ø .220/440V			
	C	CLUTCH BRAKE TYPE		5	3	Ø .208/415V			
	D B	(IEC) FLANGE MOUNTED (HEAVY-DUTY TYPE)		9	EXCEPT THE SPECIFIC VOLTAGE ABOVE				
	M	M GEAR MOTOR	8	5	50HZ AREA				
	E	DESIGNATE MOTOR		6	60HZ AREA				
	E K	DESIGNATE MOTOR WITH MOTOR BRAKE		1	1 Ø .110 SINGLE PHASE				
	H	DUAL - SHAFT GEAR REDUCER		2	1 Ø .220V.3Ø .220V SINGLE PHASE				
K	WITH SAFE BRAKE .I.WITH OUTPUT CURRENT BRAKER	3		3 Ø .380V POLY PHASES					
P K	FOR PARKING DEVICE	4	3 Ø .440V POLY PHASES						
S	OPTIONAL FUNCTION	0	BRAKE WITH SCREW RELIEVE.						
T	TORQUE BRAKE MOTOR	Q	BRAKE WITH MAUNAL RELIEVE.						
T K	TORQUE BRAKE MOTOR	S	IP54MOTOR						
		H	POSITION LIMIT CONTROL						
		L	1Ø CENTRIFUGAL SWITCH TYPE						
		C	1Ø CAPACITOR START TYPE						



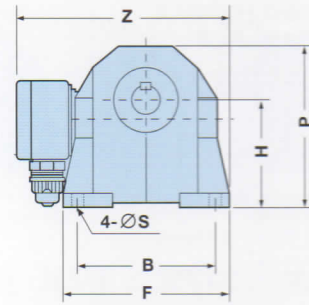
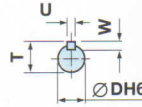
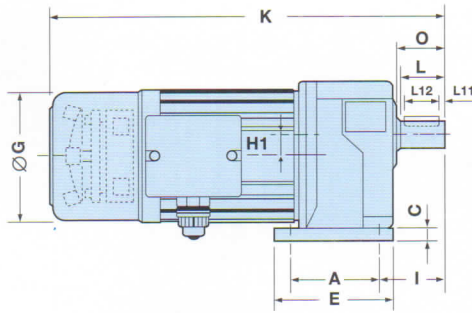
DIMENSION TYPE : ML

INPUT (4P) POWER	MODEL	RATIO	K	A	B	F	E	ØS	H1	I	C	ØG	O	L	L12	L11	ØDH6	T	W	U	P	H	Z	Z
1/8HP 0.1KW	ML18	5-50	250	40	110	134	64	9	14	45	10	129	32.5	30	25	2	18	20.5	6	6	127	85	187	187
	ML22	60-200	280	65	130	154	90	11	18	55	12	129	42	40	30	5	22	24.5	6	6	135	90	198	198
1/4HP 0.2KW	ML18	5-25	275	40	110	134	64	9	14	45	10	129	32.5	30	25	2	18	20.5	6	6	127	85	187	187
	ML22	30-100	305	65	130	154	90	11	18	55	12	129	42	40	30	5	22	24.5	6	6	135	90	198	198
	ML28	100-200	315	90	140	170	120	11	22	65	16	129	49	45	35	5	28	31	7	8	165	110	205	205
1/2HP 0.4KW	ML22	5-25	330	65	130	154	90	11	18	55	12	142	42	40	30	5	22	24.5	6	6	135	90	220	209
	ML28	30-100	345	90	140	170	120	11	22	65	16	142	49	45	35	5	28	31	7	8	165	110	227	215
	ML32	110-200	365	130	170	203	164	13	27	70	18	142	58	55	45	5	32	35	8	10	195	130	243	231
1HP 0.75KW	ML28	5-25	360	90	140	170	120	11	22	65	16	157	49	45	35	5	28	31	7	8	165	110	225	221
	ML32	30-100	380	130	170	203	164	13	27	70	18	157	58	55	45	5	32	35	8	10	195	130	240	238
	ML40	100-200	440	150	210	255	204	18	32.5	90	25	157	66	65	55	5	40	43	8	12	242	162	270	265
2HP 1.5KW	ML32	5-25	420	130	170	203	164	13	27	70	18	177	58	55	45	5	32	35	8	10	195	130	256	247
	ML40	30-100	465	150	210	255	204	18	32.5	90	20	177	66	65	55	5	40	43	8	12	242	162	280	275
	ML50	100-200	495	160	230	283	209	18	37	100	25	177	78	75	65	5	50	53.5	9	14	287.5	190	320	290
3HP 2.2KW	ML40	5-25	465	150	210	255	204	18	32.5	90	20	177	66	65	55	5	40	43	8	12	242	162	280	275
	ML50	30-100	495	160	230	283	209	18	37	100	25	177	78	75	65	5	50	53.5	9	14	287.5	190	320	290



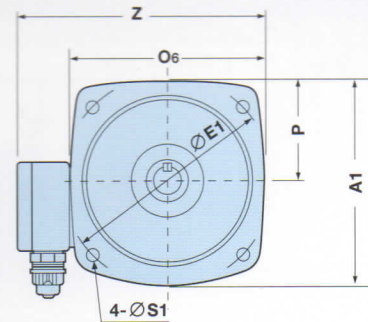
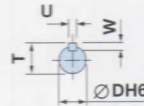
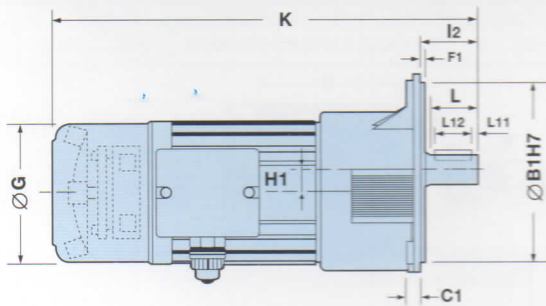
DIMENSION TYPE : MF

INPUT (4P) POWER	MODEL	RATIO	K	ØB1H7	E1	A1	P	O6	ØS1	H1	I2	C1	ØG	L	L12	L11	ØDH6	T	W	U	F1	Z	Z
1/8HP 0.1KW	MF18	5-50	250	-	140	128	50.5	128	9	14	33	10	129	30	25	2	18	20.5	6	6	-	178	178
	MF22	60-200	280	148	185	165	82.5	165	11	18	47	12	129	40	30	5	22	24.5	6	6	4	202	202
1/4HP 0.2KW	MF18	5-25	275	-	140	128	50.5	128	9	14	33	10	129	30	25	2	18	20.5	6	6	-	178	178
	MF22	30-100	305	148	185	165	82.5	165	11	18	47	12	129	40	30	5	22	24.5	6	6	4	202	202
	MF28	100-200	315	170	215	193	96.5	186	11	22	52	15	129	45	35	5	28	31	7	8	4	214	214
1/2HP 0.4KW	MF22	5-25	330	148	185	165	82.5	165	11	18	47	12	142	40	30	5	22	24.5	6	6	4	226	214
	MF28	30-100	345	170	215	193	96.5	186	11	22	52	15	142	45	35	5	28	31	7	8	4	236	225
	MF32	100-200	365	180	250	230	115	213	13	27	60	16	142	55	45	5	32	35	8	10	4	248	234
1HP 0.75KW	MF28	5-25	360	170	215	193	96.5	186	11	22	52	15	157	45	35	5	28	31	7	8	4	234	230
	MF32	30-100	380	180	250	230	115	213	13	27	60	16	157	55	45	5	32	35	8	10	4	252	240
	MF40	100-200	440	230	310	283	133	262	18	32.5	71	25	157	65	55	5	40	43	8	12	5	270	265
2HP 1.5KW	MF32	5-30	420	180	250	230	115	213	13	27	60	16	177	55	45	5	32	35	8	10	4	256	253
	MF40	30-100	465	230	310	283	133	262	18	32.5	71	25	177	65	55	5	40	43	8	12	5	280	275
	MF50	100-200	495	270	360	331	155	302	22	37	85	25	177	75	65	5	50	53.5	9	14	5	325	295
3HP 2.2KW	MF40	5-25	465	230	310	283	133	262	18	32.5	71	25	177	65	55	5	40	43	8	12	5	280	275
	MF50	30-100	495	270	360	331	155	302	22	37	85	25	177	75	65	5	50	53.5	9	14	5	325	295



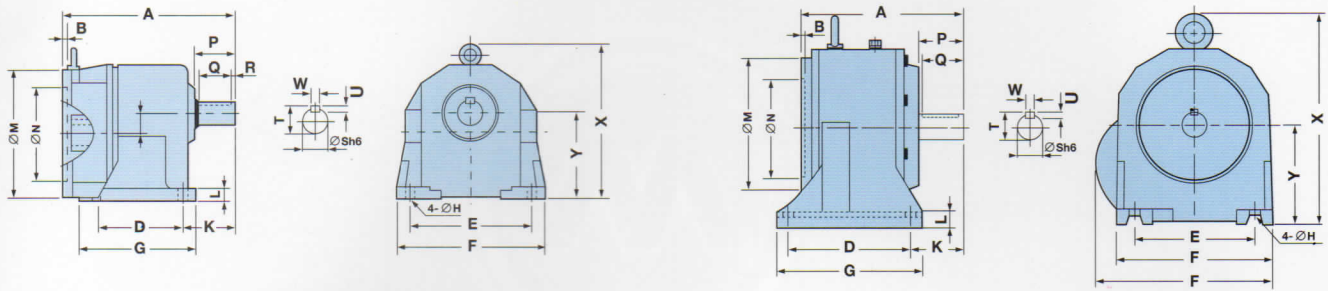
DIMENSION TYPE : MLK

INPUT (4P) POWER	MODEL	RATIO	K	A	B	F	E	ØS	H1	I	C	ØG	O	L	L12	L11	ØDH6	T	W	U	P	H	Z	Z
1/8 HP 0.1 KW	MLK18	5-50	265	40	110	134	64	9	14	45	10	129	32.5	30	25	2	18	20.5	6	6	127	85	187	187
	MLK22	60-200	295	65	130	154	90	11	18	55	12	129	42	40	30	5	22	24.5	6	6	135	90	198	198
1/4 HP 0.2 KW	MLK18	5-25	290	40	110	134	64	9	14	45	10	129	32.5	30	25	2	18	20.5	6	6	127	85	187	187
	MLK22	30-100	320	65	130	154	90	11	18	55	12	129	42	40	30	5	22	24.5	6	6	135	90	198	198
	MLK28	100-200	335	90	140	170	120	11	22	65	16	129	49	45	35	5	28	31	7	8	165	110	205	205
1/2 HP 0.4 KW	MLK22	5-25	345	65	130	154	90	11	18	55	12	142	42	40	30	5	22	24.5	6	6	135	90	220	209
	MLK28	30-100	355	90	140	170	120	11	22	65	16	142	49	45	35	5	28	31	7	8	165	110	227	215
	MLK32	110-200	375	130	170	203	164	13	27	70	18	142	58	55	45	5	32	35	8	10	195	130	243	231
1 HP 0.75 KW	MLK28	5-25	385	90	140	170	120	11	22	65	16	157	49	45	35	5	28	31	7	8	165	110	225	221
	MLK32	30-100	405	130	170	203	164	13	27	70	18	157	58	55	45	5	32	35	8	10	195	130	240	238
	MLK40	100-200	450	150	210	255	204	18	32.5	90	25	157	66	65	55	5	40	43	8	12	242	162	270	265
2 HP 1.5 KW	MLK32	5-25	465	130	170	203	164	13	27	70	18	177	58	55	45	5	32	35	8	10	195	130	256	247
	MLK40	30-100	510	150	210	255	204	18	32.5	90	20	177	66	65	55	5	40	43	8	12	242	162	280	275
	MLK50	100-200	540	160	230	283	209	18	37	100	25	177	78	75	65	5	50	53.5	9	14	287.5	190	320	290
3 HP 2.2 KW	MLK40	5-25	510	150	210	255	204	18	32.5	90	20	177	66	65	55	5	40	43	8	12	242	162	280	275
	MLK50	30-100	540	160	230	283	209	18	37	100	25	177	78	75	65	5	50	53.5	9	14	287.5	190	320	290



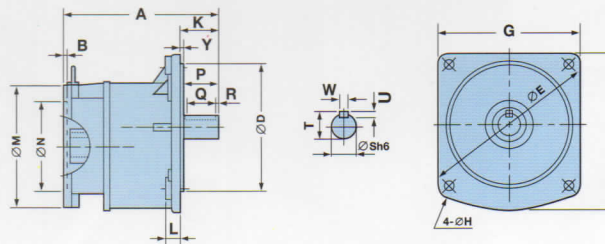
DIMENSION TYPE : MFK

INPUT (4P) POWER	MODEL	RATIO	K	ØB1H7	E1	A1	P	O6	ØS1	H1	I2	C1	ØG	L	L12	L11	ØDH6	T	W	U	F1	Z	Z
1/8 HP 0.1 KW	MFK18	5-50	265	-	140	128	50.5	128	9	14	33	10	129	30	25	2	18	20.5	6	6	-	178	178
	MFK22	60-200	295	148	185	165	82.5	165	11	18	47	12	129	40	30	5	22	24.5	6	6	4	202	202
1/4 HP 0.2 KW	MFK18	5-25	290	-	140	128	50.5	128	9	14	33	10	129	30	25	2	18	20.5	6	6	-	178	178
	MFK22	30-100	320	148	185	165	82.5	165	11	18	47	12	129	40	30	5	22	24.5	6	6	4	202	202
	MFK28	100-200	335	170	215	193	96.5	186	11	22	52	15	129	45	35	5	28	31	7	8	4	214	214
1/2 HP 0.4 KW	MFK22	5-25	345	148	185	165	82.5	165	11	18	47	12	142	40	30	5	22	24.5	6	6	4	226	214
	MFK28	30-100	355	170	215	193	96.5	186	11	22	52	15	142	45	35	5	28	31	7	8	4	236	225
	MFK32	100-200	375	180	250	230	115	213	13	27	60	16	142	55	45	5	32	35	8	10	4	248	234
1 HP 0.75 KW	MFK28	5-25	385	170	215	193	96.5	186	11	22	52	15	157	45	35	5	28	31	7	8	4	234	230
	MFK32	30-100	405	180	250	230	115	213	13	27	60	16	157	55	45	5	32	35	8	10	4	252	240
	MFK40	100-200	450	230	310	283	133	262	18	32.5	71	25	157	65	55	5	40	43	8	12	5	270	265
2 HP 1.5 KW	MFK32	5-30	465	180	250	230	115	213	13	27	60	16	177	55	45	5	32	35	8	10	4	256	253
	MFK40	30-100	510	230	310	283	133	262	18	32.5	71	25	177	65	55	5	40	43	8	12	5	280	275
	MFK50	100-200	540	270	360	331	155	302	22	37	85	25	177	75	65	5	50	53.5	9	14	5	325	295
3 HP 2.2 KW	MFK40	5-25	510	230	310	283	133	262	18	32.5	71	25	177	65	55	5	40	43	8	12	5	280	275
	MFK50	30-100	540	270	360	331	155	302	22	37	85	25	177	75	65	5	50	53.5	9	14	5	325	295



DIMENSION TYPE : MLB, MLDB

INPUT POWER	MODEL	RATIO	FRAME	A	B	D	E	F	G	∅H	J	K	L	∅M	∅NH7	P	R	Q	∅SH6	T	U	W	X	Y
1/4HP	MLB22	5-100	63	164	4.5	65	130	154	90	11	18	55	12	160	110	40	5	30	22	25	6	6	135	90
1/2HP 0.4KW	MLB22	5-25	71	164	4.5	65	130	154	90	11	18	55	12	160	110	40	5	30	22	25	6	6	135	90
	MLB28	26-100	71	187	4.5	90	140	170	120	11	22	65	16	160	110	45	5	35	28	31.5	7	8	165	110
1HP 0.75KW	MLB32	101-180	71	225.5	4.5	130	170	203	164	13	27	70	18	160	110	55	5	45	32	35.5	8	10	195	130
	MLB28	5-25	80	209	4.5	90	140	170	120	11	22	65	16	200	130	45	5	35	28	31.5	7	8	165	110
	MLB32	26-120	80	247.5	4.5	130	170	203	164	13	27	70	18	200	130	55	5	45	32	35.5	8	10	195	130
2HP 1.5KW	MLB40	121-180	80	279	4.5	150	210	255	204	18	32.5	95	20	200	130	65	5	55	40	43.5	8	12	242	162
	MLB32	5-30	90L	247.5	4.5	130	170	203	164	13	27	70	18	200	130	55	5	45	32	35.5	8	10	195	130
	MLB40	31-100	90L	279	4.5	150	210	255	204	18	32.5	90	20	200	130	65	5	55	40	43.5	8	12	242	162
3HP 2.2KW	MLB45	101-180	90L	284	4.5	150	210	255	204	18	32.5	90	20	200	130	65	5	55	45	49	9	14	242	162
	MLB40	5-60	100L	291	5	150	210	255	204	18	32.5	90	20	250	180	65	5	55	40	43.5	8	12	242	162
	MLB45	61-100	100L	296	5	150	210	255	204	18	32.5	100	20	250	180	65	5	55	45	49	9	14	242	162
5HP 3.7KW	MLB50	101-180	100L	316	5	160	230	286	220	18	37	100	25	250	180	75	5	65	50	54	9	14	285	190
	MLB45	5-25	112M	296	5	150	210	255	204	18	32.5	100	20	250	180	65	5	55	45	49	9	14	242	162
7.5 HP5.5KW	MLB50	26-120	112M	316	5	160	230	286	220	18	37	100	25	250	180	75	5	65	50	54	9	14	285	190
10HP 7.5KW	MLB50	5-30	132S	350	5	160	230	286	220	18	37	110	25	300	230	75	5	65	50	54	9	14	285	190
	MLB55	5-20	132M	350	5	160	230	286	220	18	37	110	25	300	230	88	5	75	55	59.5	10	16	285	190
15HP	MLDB63	21-30	132M	393	5	310	300	395	370	24	0	140	40	300	230	112	-	104	63	67.5	56	18	445	252.5
20HP	MLDB63	5-30	160M	393	5	310	300	395	370	24	0	140	40	350	250	112	-	104	63	67.5	56	18	445	252.5
15KW	MLDB63	5-10	160L	393	5	310	300	395	370	24	0	140	40	350	250	112	-	104	63	67.5	56	18	445	252.5
	MLDB71	11-30	160L	490	5	345	320	420	415	24	0	150	40	350	250	112	-	105	71	76	63.5	20	485	280



DIMENSION TYPE : MFB

INPUT POWER	MODEL	RATIO	FRAME	A	B	∅Dh7	E	F	G	∅H	J	K	L	∅M	∅NH7	P	R	Q	∅SH6	T	U	W	Y
1/4HP	MFB22	5-100	63	164	4.5	148	185	165	165	11	18	47	12	160	110	40	5	30	22	25	6	6	4
1/2HP 0.4KW	MFB22	5-25	71	164	4.5	148	185	165	165	11	18	47	12	160	110	40	5	30	22	25	6	6	4
	MFB28	26-100	71	187	4.5	170	215	193	186	11	22	52	15	160	110	45	5	35	28	31.5	7	8	4
1HP 0.75KW	MFB32	101-180	71	225.5	4.5	180	250	230	213	13	27	60	15	160	110	55	5	45	32	35.5	8	10	4
	MFB28	5-25	80	209	4.5	170	215	193	186	11	22	52	15	200	130	45	5	35	28	31.5	7	8	4
	MFB32	26-120	80	247.5	4.5	180	250	230	213	13	27	60	15	200	130	55	5	45	32	35.5	8	10	4
2HP 1.5KW	MFB40	121-180	80	279	4.5	230	310	283	262	18	32.5	71	25	200	130	65	5	55	40	43.5	8	12	5
	MFB32	5-30	90L	247.5	4.5	180	250	230	213	13	27	60	15	200	130	55	5	45	32	35.5	8	10	4
	MFB40	31-100	90L	279	4.5	230	310	283	262	18	32.5	71	25	200	130	65	5	55	40	43.5	8	12	5
3HP 2.2KW	MFB45	101-180	90L	284	4.5	230	310	283	262	18	32.5	71	25	200	130	65	5	55	45	49	9	14	5
	MFB40	5-60	100L	291	5	230	310	283	262	18	32.5	71	25	250	180	65	5	55	40	43.5	8	12	5
	MFB45	61-100	100L	296	5	230	310	283	262	18	32.5	81	25	250	180	65	5	55	45	49	9	14	5
5HP 3.7KW	MFB50	101-180	100L	316	5	270	360	331	302	22	41	81	25	250	180	75	5	65	50	54	9	14	5
	MFB45	5-25	112M	296	5	230	310	283	262	18	32.5	81	25	250	180	65	5	55	45	49	9	14	5
7.5 HP5.5KW	MFB50	26-120	112M	316	5	270	360	331	302	22	41	81	25	250	180	75	5	65	50	54	9	14	5
10 HP7.5KW	MFB55	5-20	132M	350	5	270	360	331	302	22	41	91	25	300	230	88	5	75	55	59.5	10	16	5

PERFORMANCE CHART

HP	TYPE	RATIO	OUT.rpm		OUT.Kgf.m		OUT N.m		O.H.L.		
			1:	50HZ	60HZ	50HZ	60HZ	50HZ	60HZ	Kgf	N
3Ø 1Ø 0.1 (0.09) KW 1/8 (0.12)	M(C/L) 18	5	300	360	0.31	0.26	3	2.5	60	588	
		10	150	180	0.62	0.51	6.1	5	90	882	
		15	100	120	0.93	0.77	9.1	7.5	100	980	
		20	75	90	1.2	1	12	9.8	120	1180	
		25	60	72	1.5	1.3	15	12.7	130	1270	
		30	50	60	1.9	1.5	19	14.7	140	1370	
	M(C/L) 22	40	37.5	45	2.4	2	24	19.6	150	1470	
		50	30	36	3	1.5	29	24.5	150	1570	
		60	25	30	3.6	3	35	29.4	220	2160	
		80	18.8	22.5	4.8	4	47	39.2	250	2450	
		100	15	18	6	5	59	49	250	2450	
		120	12.5	15	7.2	6	71	58.8	250	2450	
M(C/L) 32	160	9.4	11.2	9.6	8	94	78.4	250	2450		
	200	7.5	9	11.9	10	117	98	250	2450		
	300	5	6	16	13.3	157	130	350	3430		
	375	4	4.8	20	16.6	196	163	350	3430		
	450	3.3	4	24	20	235	196	350	3430		
	600	2.5	3	31.9	26.6	313	261	600	5880		
M(C/L) 18	750	2	2.4	39.9	33.3	391	326	600	5880		
	*900	1.7	2	44	39.3	431	391	600	5880		
	*1200	1.3	1.5	44	44	431	431	600	5880		
	5	300	360	0.62	0.51	6.1	5	60	588		
	10	150	180	1.2	1	11.8	9.8	90	882		
	15	100	120	1.9	1.5	18.6	14.7	100	980		
	M(C/L) 22	20	75	90	2.5	2.1	24.5	20.6	120	1180	
		25	60	72	3.1	2.6	30.4	25.5	130	1270	
		30	50	60	3.7	3.1	36.3	30.4	180	1760	
		40	37.5	45	4.8	4	47	39.2	190	1860	
		50	30	36	6	5	58.8	49	200	1660	
		60	25	30	7.2	6	70.6	58.8	220	2160	
M(C/L) 28	80	18.8	22.5	9.6	8	94.1	78.4	250	2450		
	*100	15	18	9.9	8.2	97	80.4	250	2450		
	100	15	18	11.9	10	117	98	290	2840		
	120	12.5	15	14.3	11.9	140	117	340	3330		
	160	9.4	11.2	19.1	15.9	187	156	350	3430		
	200	7.5	9	23.9	19.9	234	195	350	3430		
M(C/L) 32	300	5	6	31.9	26.6	313	261	600	5880		
	375	4	4.8	39.9	33.3	391	326	600	5880		
	450	3.3	4	44	39.3	431	391	600	5880		
	600	2.5	3	63.9	53.2	626	521	720	7060		
	750	2	2.4	78	66.6	764	653	720	7060		
	*900	1.7	2	78	78	764	764	720	7060		
M(C/L) 18	*1200	1.3	1.5	78	78	764	764	720	7060		
	5	300	360	1.2	1	12	10	90	880		
	10	150	180	2.5	2.1	25	21	120	1180		
	15	100	120	3.7	3.1	36	30	140	1370		
	M(C/L) 22	20	75	90	4.9	4.1	48	40	150	1470	
		25	60	72	6.2	5.1	61	50	170	1670	
		30	50	60	7.4	6.2	73	61	260	2550	
		40	37.5	45	9.6	8	94	78	290	2840	
		M(C/L) 28	50	30	36	11.9	10	117	98	320	3140
			60	25	30	14.3	11.9	140	117	350	3430
	80		18.8	22.5	19.1	15.9	187	156	350	3430	
	*100		15	18	19.7	16.4	193	161	350	3430	
M(C/L) 32	100		15	18	23.9	19.9	234	195	500	4900	
	120		12.5	15	28.7	23.9	281	234	600	5880	
M(C/L) 40	160	9.4	11.2	38.2	31.9	374	313	600	5880		
	200	7.5	9	44	39.3	431	390	600	5880		

HP	TYPE	RATIO	OUT.rpm		OUT.Kgf.m		OUT N.m		O.H.L.		
			1:	50HZ	60HZ	50HZ	60HZ	50HZ	60HZ	Kgf	N
3Ø 1Ø 0.4 (0.37) KW 1/2 (0.5) HP	M(M/L) 40	300	5	6	63.9	53.2	626	521	720	7060	
		375	4	4.8	78	66.6	764	653	720	7060	
		*450	3.3	4	78	78	764	764	720	7060	
		600	2.5	3	125	106.5	1225	1044	1000	9800	
		*750	2	2.4	125	125	1225	1225	1000	9800	
		*900	1.7	2	125	125	1225	1225	1000	9800	
	M(L) 50	*1200	1.3	1.5	125	125	1225	1225	1000	9800	
		5	300	360	2.3	1.9	23	19	130	1270	
		M(C/L) 28	10	150	180	4.6	3.9	45	38	180	1760
			15	100	120	6.9	5.8	68	57	220	2160
			20	75	90	9.3	7.7	91	75	240	2350
			25	60	72	11.6	9.6	114	94	250	2450
M(C/L) 32	30	50	60	13.9	11.6	136	114	410	4020		
	40	37.5	45	17.9	14.9	175	146	430	3210		
	50	30	36	22.4	18.7	220	183	470	4610		
	60	25	30	26.9	22.4	264	220	560	5490		
	80	18.8	22.5	35.8	29.9	351	293	600	5880		
	*100	15	18	36.9	39.8	362	302	600	5880		
M(M/L) 40	100	15	18	44.8	37.3	439	366	720	7060		
	120	12.5	15	53.8	44.8	527	439	720	7060		
	160	9.4	11.2	71.7	59.7	703	585	720	7060		
	200	7.5	9	78	74.7	764	732	720	7060		
	ML	300	5	6	120	99.8	1176	978	1000	9800	
	ML	375	4	4.8	125	125	1225	1225	1000	9800	
3Ø 1Ø 1.5 KW 2 HP	M(C/L) 32	*450	3.3	4	125	125	1225	1225	1000	9800	
		5	300	360	4.6	3.9	45	38	180	1760	
		10	150	180	9.3	7.7	91	75	250	2450	
		15	100	120	13.9	11.6	136	114	290	2840	
		20	75	90	18.5	15.4	181	151	330	3230	
		25	60	72	23.1	19.3	226	189	390	3820	
	M(M/L) 40	30	50	60	27.8	23.1	272	226	520	5100	
		40	37.5	45	35.8	29.9	351	293	600	5880	
		50	30	36	44.8	37.3	439	366	720	7060	
		60	25	30	53.8	44.8	527	439	720	7060	
		80	18.8	22.5	71.7	59.7	703	585	720	7060	
		*100	15	18	73.9	61.5	724	603	720	7060	
M(L) 50	100	15	18	89.6	74.7	878	732	1000	9800		
	120	12.5	15	108	89.6	1060	878	1000	9800		
	160	9.4	11.2	125	119	1230	1170	1000	9800		
	*200	7.5	9	125	125	1230	1230	1000	9800		
	3Ø 2.2 KW 3 HP	M(L) 40	5	300	360	6.8	5.7	67	56	220	2160
			10	150	180	13.6	11.3	133	111	320	3140
15			100	120	20.4	17	200	167	360	3539	
20			75	90	27.1	22.6	266	221	410	4020	
25			60	72	33.9	28.3	332	277	480	4700	
30			50	60	40.7	33.9	399	332	710	6960	
M(L) 50		40	37.5	45	52.6	43.8	515	429	740	7250	
		50	30	36	65.7	54.8	644	537	880	8620	
		60	25	30	78.9	65.7	773	644	1000	9800	
		80	18.8	22.5	105	87.6	1029	858	1000	9800	
		100	15	18	125	110	1230	1080	1000	9800	

APPLICATION CAUTION

● AMBIENT TEMPERATURE 10°C - 40°C ● AMBIENT HUMIDITY : UNDER 85% ● THE LIMIT HEIGHT OF APPLICATION UNDER 1000M (MEAN SEALEVEL) ● VENTILATING : SUFFICIENT AIRNESS WITHOUT GASSES OF VAPOR EXPLOSIVE AND CORROSION ● APPLICATION LOCUS : INDOOR MOUNTING SURFACE : PLEASE MOUNT THE GEAR MOTOR ON THE FLAT STABLE SURFACE AND WITHOUT VIBRATION ● DO NOT GO ON OPERATING THE MACHINE IF THE TEMPERATURE OF THE MOTOR EXCEED 80°C ● MANUFACTURING WILL ACCORDING TO THE CUSTOMERS CERTAIN REQUESTS OR SPECIFICATIONS

NOTE : DIMENSIONS SUBJECT TO CHANGE WITHOUT NOTICE
ALL PERFORMANCE DATA IS SUITABLE FOR 4 POLES MOTORS

* LIGHT-LOAD TYPE