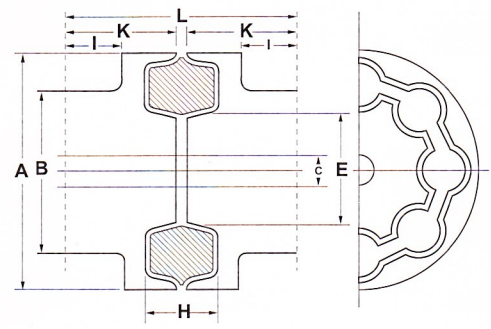
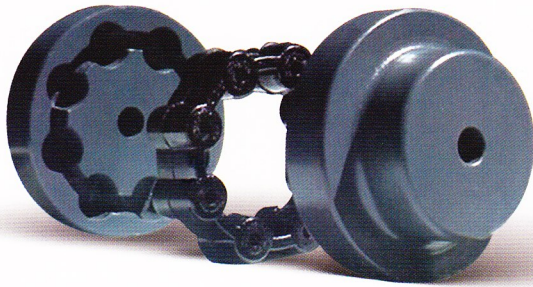


RUBBER COUPLING

MH SERIES

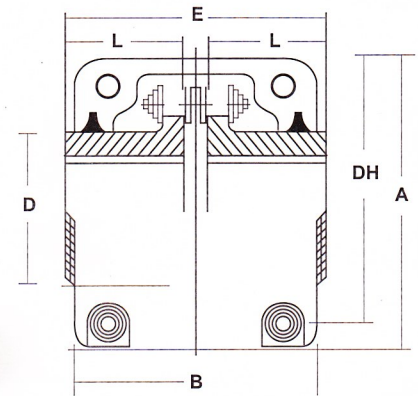
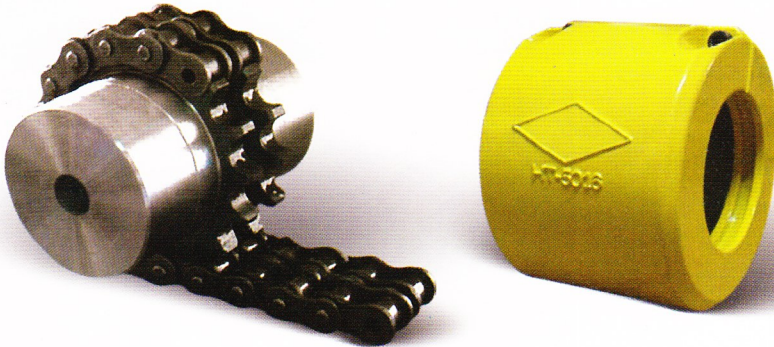


Dimensions (mm) & Coupling Ratings

Coupling MH Type	A	Hub B	Bore			Rated Torque (kg.m)	Misalignment		Maximum Speed Revolution	L	K	H	+1.0 -0	I	E	Weight (kg)	Moment of Inertia GD ² (kg.m ²)
			Min	Max	Stock C		Parallel	Angular									
MH-45	45	25	5	14	3	0.2	0.2	0.3°	6,000	49	23	15	3	13	20	0.3	2.1x ⁻⁴
MH-55	55	39	9	20	5	0.4	0.2	0.3°	6,000	57	27	17	3	15	26	0.6	6.2x ⁻⁴
MH-65	65	45	12	25	5	0.7	0.2	0.3°	6,000	63	30	19	3	16	33	0.9	1.5x ⁻¹
MH-80	80	52	16	30	5	1.6	0.2	0.3°	5,500	73	36	23	3	18	41	1.5	3.7x ⁻³
MH-90	90	62	20	35	10	3.7	0.2	0.3°	5,000	83	40	25	3	21	46	2.2	7.1x ⁻³
MH-115	115	80	25	45	10	8.0	0.2	0.3°	4,600	113	55	33	3	29	58	5.0	2.7x ⁻²
MH-130	130	90	27	50	12	12.0	0.2	0.3°	4,400	123	60	37	3	32	65	7.0	4.2x ⁻²
MH-145	145	100	30	55	15	20.0	0.2	0.3°	4,200	133	55	39	3	35	72	9.2	9.4x ⁻²
MH-175	175	115	35	65	20	43.0	0.2	0.3°	3,800	163	90	47	3	43	84	16.1	1.9x ⁻¹
MH-200	200	130	50	80	30	65.0	0.2	0.3°	3,600	223	110	53	3	69	92	35.5	3.1x ⁻¹

CHAIN COUPLING

HT SERIES



Coupling Dimensions (mm)

Coupling No.	Bore Diameter		E	L	D	DH	Weight kgs.	Casing No.	A	B	Weight kgs.
	Min.	Max.									
HT 4012	11	22	80	36	35	61	0.8	HT 4012	75	75	0.3
HT 4016	15	30	80	36	50	77	1.4	HT 4016	92	75	0.4
HT 5016	15	40	100	45	60	96	2.6	HT 5016	111	85	0.6
HT 5018	19	45	100	45	70	106	3.5	HT 5018	122	85	0.7
HT 6018	22	55	120	54	85	128	6.2	HT 6018	142	106	1.0
HT 6022	25	75	120	54	110	152	9.8	HT 6022	167	106	1.2
HT 8018	30	78	150	67	115	170	13.9	HT 8018	186	130	2.3
HT 8022	35	95	150	67	140	202	20.2	HT 8022	220	130	2.4
HT10020	35	110	178.8	80	160	228	34	HT10020	248	152	3.2
HT12018	48	120	202.7	90	170	252	51	HT12018	305	180	5.6
HT12022	58	150	222.7	100	210	300	66	HT12022	355	180	7.1